

INDEX

	Page
Replacement Parts List	
NT-12 and NT-16 C, F, FC	3
NT-12 and NT-16 SC, SP	4
NT-12 and NT-16 EC, EF, EP, MEC, MEF and MEP	4
NT-12, NT-16 and NT-20 L	5
NT-12 and NT-16 LE, LEC	5
NT-12, NT-16 and NT-20 S	6
NT-20 LE	6
NT-12, NT-16 and NT-20 SE	7
NT-17 C	7
NT-20, NT-22, NT-30 and NT-32	8
NT-22 and NT-32 CE, AE, FC, FCA	8
NT-24, NT-30 and NT-34 M, MD	9
NT-24 and NT-30 MP, MPD	9
NT-24, NT-30 and NT-34 H, HA	10
NT-24, NT-30, NT-34 S, SP	10
NT-25, NT-30 and, NT-35 K	11
NT-24, NT-30 and NT-34 HS	11
NT-24 and NT-30 MA	12
NT-34 L, MM	12
N-32 C	13
N-32CG	13
N-32FC	13
SF-20, SF-25, SF-30, SF-35	14
SF-20F, SF-25F, SF-30F, SF-35F	14
SF-42, SF-42F	14
DD-12P, DD-17P, DD-17DSI	15
N-30 M	15
P-30 S	16
NT-40	16
NT-45 M and P-45 M	17
NT-45 S and P-45 S	18
P-40S	18
NT-42 S, T	19
GT-8D	19
GT-10D	19
GT-10DB	19
Accessory Items	19
Limited Warranty	20

Replacement Parts List

The following are lists of most commonly replaced parts for each model furnace. The Installation, Operating and Service Instruction manual for each individual model furnace contains a complete parts list, fully illustrated, and is available from our factory. Replacement parts may also be ordered directly from the factory by contacting our Parts Order Department at:

Suburban Manufacturing Company
Post Office Box 399
Dayton, Tennessee 37321
Phone: (615) 775-2131

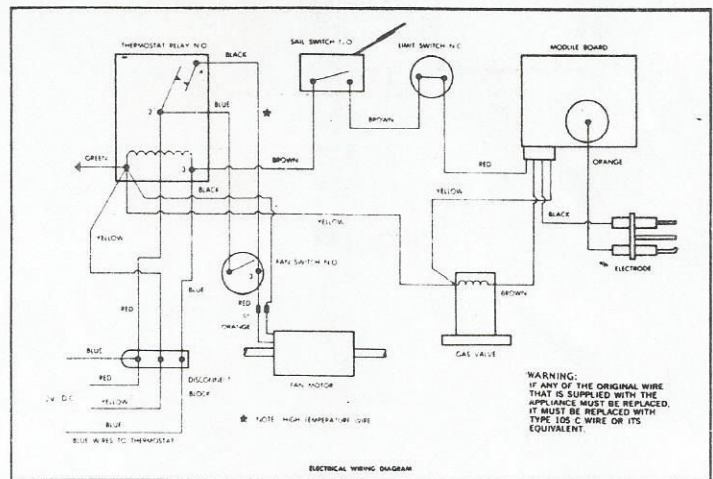
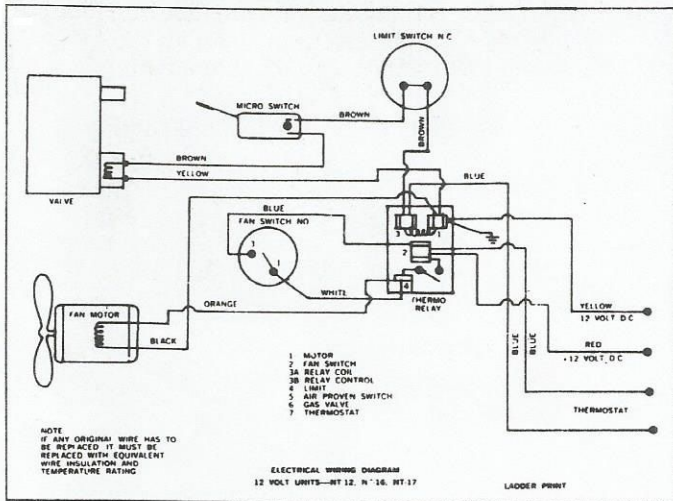
NOTE: Do not attempt to repair damaged parts ! Only factory authorized parts are to be used.

When ordering repair parts from your dealer, a Suburban Service Center, or distributor, always give the following information:

- 1 - Part Number
- 2 - Part Description
- 3 - Model and Serial Number of Furnace
- 4 - Number of Parts Required

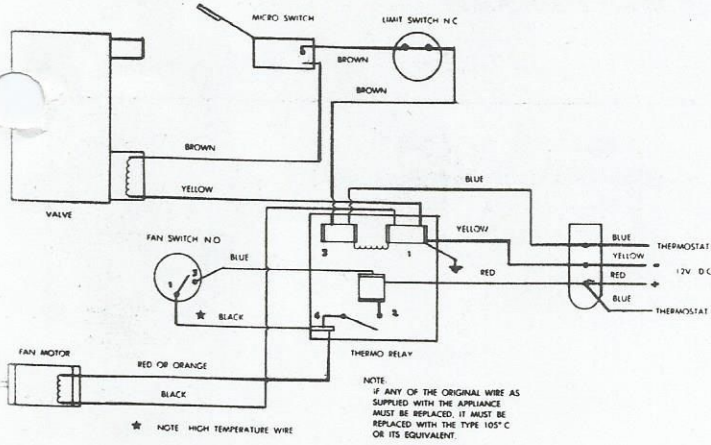
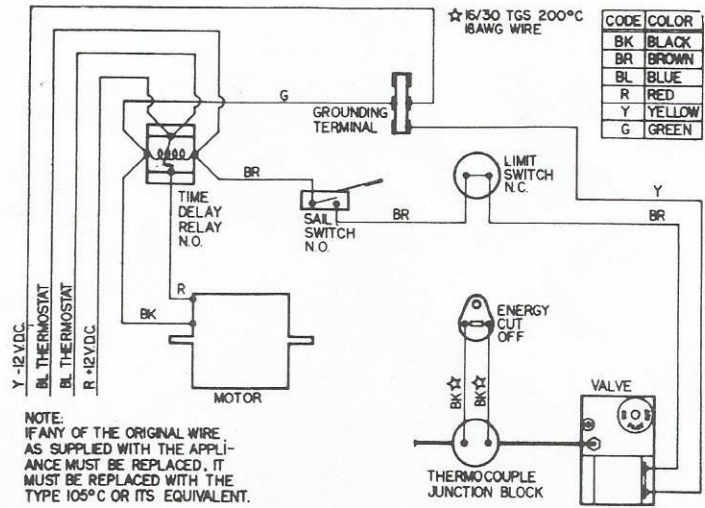
NT-12C, NT-16C Pilot Ignition NT-12F, NT-16F Electronic Ignition NT-12FC, NT-16FC Pilot Ignition

Description	Part No.	Description	Part No.
Fan Switch	230316	Thermostat Relay	230530
Microswitch (NT-12)	230447	Electrode Assembly (F/FC Models Only)	230511
Microswitch (NT-16)	230448	Thermostat	160902
Module Board (F/FC Models Only)	520741	Vent Cap Assembly	520730
Valve (F/FC Models Only)	160911	Thermocouple (C Models Only)	160876
Motor Kit (NT-16)	520388	Combustion Air Blower Wheel Kit	520400
Motor (NT-12)	230306	Large Blower Wheel (NT-16)	350066
		Large Blower Wheel (NT-12)	350067



NT-12SC, NT-16SC Pilot Ignition
NT-12SP, NT-16SP Pilot Ignition

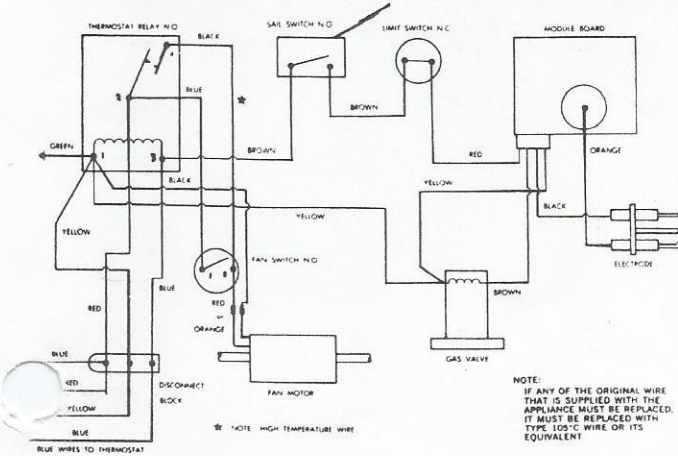
Description	Part No.
Limit Switch (NT-16)	230560
Limit Switch (NT-12)	230621
Microswitch (NT-16)	230638
Microswitch (NT-12)	230933
Electrode Assembly (SP Models Only)	230627
Motor (NT-16)	230634
Motor (NT-12)	230616
Time Delay Relay	230625
Main Burner	010595
Thermostat	160902
Vent Cap Assembly	260164
Room Air Impeller	350083
Combustion Air Wheel	350082
Pilot Burner	160618
Main Burner Orifice (NT-12)	180225
Main Burner Orifice (NT-16)	180224
Gaskets for:	
Motor	070448
Burner Tunnel	070450
Observation Hole Cover	070367
Manifold Pipe	070449
Combustion Air Box	070446
Pilot Burner	070163
Burner Access Door	070398
Electrode	070276



NT-12EC, NT-16EC Pilot Ignition
NT-12MEC, NT-16MEC Pilot Ignition
NT-12EF, NT-16EF Electronic Ignition
NT-12MEF, NT-16MEF Electronic Ignition
NT-12EP, NT-16EP Piezo Ignition
NT-12MEP, NT-16MEP Piezo Ignition

Description	Part No.
Limit Switch (NT-16, Code J and Beyond)	230585
Limit Switch (NT-12, Code J and Beyond)	230584
Fan Switch (Before Code J)	230316
Fan Switch (Code J and Beyond)	230582
Microswitch (NT-16)	230448
Microswitch (NT-12)	230447
Module Board (EF/MEF Models Only)	520741
Motor (NT-12, Before Code J)	230306
Motor Kit (NT-16, Before Code J)	520388
Motor (Code J and Beyond)	230571
Thermostat	160902
Valve	160911
Electrode Assembly (EF, MEF Models Only)	230511
Thermocouple (EC, MEC/EP, MEP Models Only)	160876
Pilot Orifice (EC, MEC/EP, MEP Models Only) ..	160659
Pilot Burner (EC, MEC/EP, MEP Models Only) ..	160618
Main Burner Orifice #57 (NT-16)	180194
Combustion Air Wheel Kit	520400
Large Blower Wheel (NT-16)	350066
Large Blower Wheel (NT-12)	350067
Vent Cap and Tube Assembly	260097
Thermostat Relay	230423

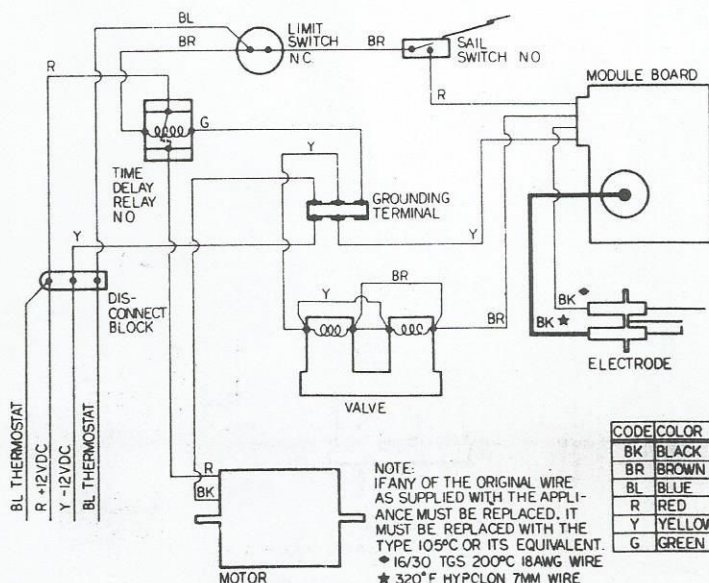
Electrical Wiring Diagram
12 Volt Units—NT-12MEC, NT-16MEC, NT-12MEP and NT-16MEP



Electrical Wiring Diagram
NT-12MEF, NT-16MEF

**NT-12L, NT-16L, NT-20L
Electronic Ignition**

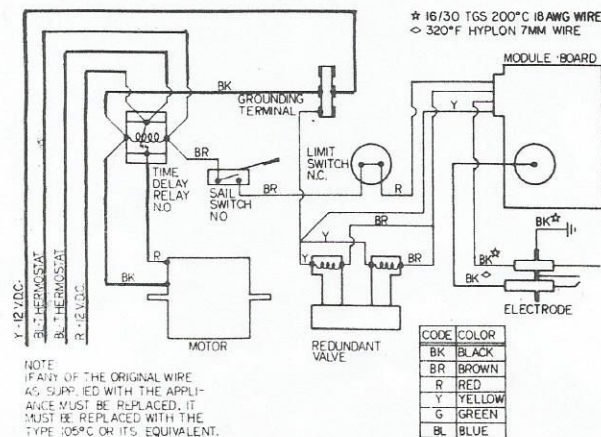
Description	Part No.	Electrode (NT-12 and NT-16)	230615
Limit Switch (NT-12)	230621	Electrode (NT-20)	230562
Limit Switch (NT-16)	230560	Main Burner Orifice (NT-12)	180225
Limit Switch (NT-20)	230621	Main Burner Orifice (NT-16)	180224
Microswitch (NT-12)	230933	Main Burner Orifice (NT-20)	180231
Microswitch (NT-16 and NT-20)	230933	Vent Cap Assembly	260098
Time Delay Relay	230625	Main Burner (NT-12 and NT-16)	010595
Module Board	520741	Main Burner (NT-20)	010614
Valve (Up to Serial #1358423)	160911	Gaskets for:	
Valve (Above Serial #1358423)	161078	Burner Access Door	070398
Motor (NT-12)	230616	Motor	070448
Motor (NT-16 and NT-20)	230634	Combustion Air Box	070446
Room Air Impeller	350083	Burner Tunnel	070450
Thermostat	160902	Electrode	070163
Combustion Air Wheel	350082	Manifold Pipe	070449



**NT-12LE, NT-16LE Electronic Ignition
NT-12LEC, NT-16LEC Pilot Ignition**

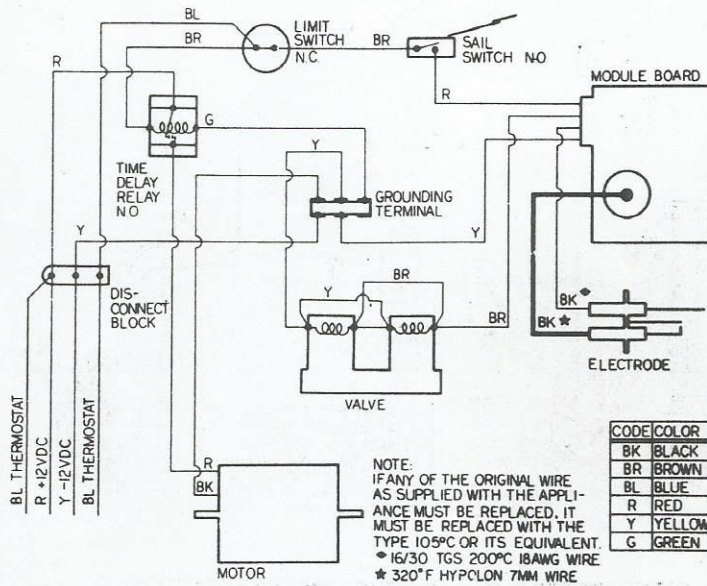
Description	Part No.
Limit Switch	230621
Microswitch	230933
Time Delay Relay	230625
Module Board (LE Models Only)	520741
Motor	230616
Valve (LE Models Up to Serial #1243310)	160911
Valve (LE Models Beyond Serial #1243310)	161078
Thermostat	160902
Room Air Impeller	350083
Combustion Air Wheel	350082
Vent Cap Assembly	260098
Burner Orifice (NT-12)	180225
Burner Orifice (NT-16)	180224
Main Burner	010595
Pilot Burner (LEC Models Only)	160618
Pilot Orifice (LEC Models Only)	160659
Electrode (LE Models Only)	230615

Gaskets for:	
Burner Access Door	070398
Motor	070448
Combustion Air Box	070446
Burner Tunnel	070450
Observation Hole Cover	070367
Pilot Burner/Electrode	070163
Manifold	070449



NT-12S, NT-16S, NT-20S
Electronic Ignition

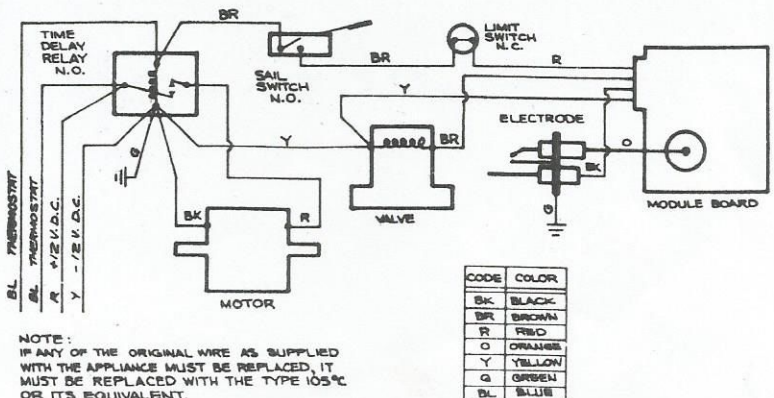
Description	Part No.	Valve.....	161078
Thermostat	160902	Burner Orifice (NT-12)	180225
Vent Cap Assembly	260164	Burner Orifice (NT-16)	180224
Microswitch (NT-12)	230933	Burner Orifice (NT-20)	180231
Microswitch (NT-16 and NT-20)	230638	Burner Assembly (NT-12 and NT-16)	010595
Limit Switch (NT-12)	230621	Burner Assembly (NT-12 & 16 Beyond	
Limit Switch (NT-16)	230560	Serial #1716340	010614
Limit Switch (NT-20)	230621	Burner Assembly (NT-20)	010614
Time Delay Relay	230625		
Module Board	520741	Gaskets for:	
Combustion Air Wheel	350082	Burner Tunnel.....	070450
Motor (NT-12).....	230616	Combustion Air Box.....	070446
Motor (NT-16 and NT-20)	230634	Motor	070448
Room Air Impeller	350083	Electrode	070163
Electrode (NT-12 and NT-16)	230615	Burner Access Door	070398
Electrode (NT-12 & 16 Beyond Serial #1716340)	520775	Pipe Inlet	070432
Electrode (NT-20)	520775	Manifold	070449



NT-20LE Electronic Ignition

Description	Part No.
Vent Cap Assembly	260164
Thermostat	160902
Microswitch	230638
Room Air Impeller	350083
Motor	230634
Combustion Air Wheel	350082
Time Delay Relay.....	230625
Module Board	520741
Limit Switch	230621
Orifice	180231
Burner	010614
Electrode	520775
Valve.....	161078

Gaskets for:	
Burner Access Door	070398
Combustion Air Box.....	070446
Manifold	070449
Motor	070448
Burner Tunnel.....	070450
Electrode	070163

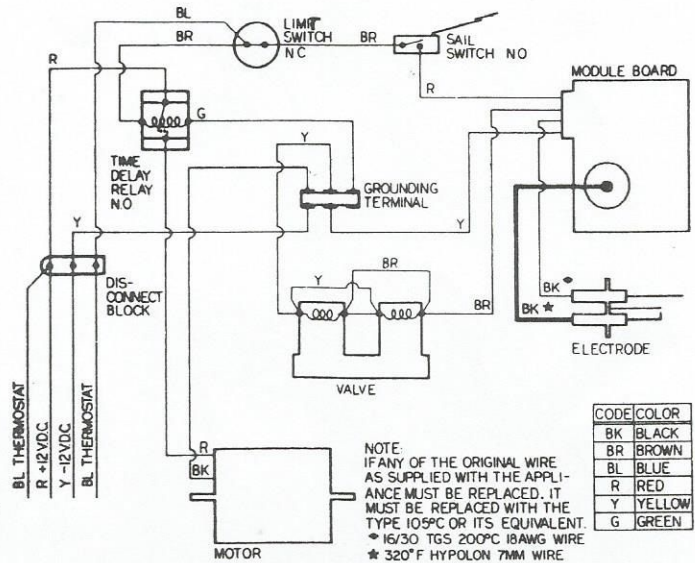


NT-12SE, NT-16SE, NT-20SE
Electronic Ignition

Description	Part No.
Thermostat	160902
Vent Cap & Exhaust Tube Assembly	260164
Microswitch (NT-12 and NT-16)	230933
Microswitch (NT-20)	230638
Limit Switch (NT-12 and NT-16)	230621
Limit Switch (NT-20)	230621
Module Board	520741
Time Delay Relay	230625
Combustion Air Wheel	350082
Motor (NT-12 and NT-16)	230616
Motor (NT-20)	230634
Room Air Impeller	350083
Electrode (NT-12 and NT-16)	230615
Electrode (NT-20)	520775
Valve	161078
Burner Orifice (NT-12)	180225
Burner Orifice (NT-16)	180224
Burner Orifice (NT-20)	180231
Burner (NT-12 and NT-16)	010595
Burner (NT-12 & 16 Beyond Serial #1716340)	010614
Burner (NT-16SE)	010595
Burner (NT-20)	010614
Electrode (NT-12 & 16 Beyond Serial #1716340)	520775

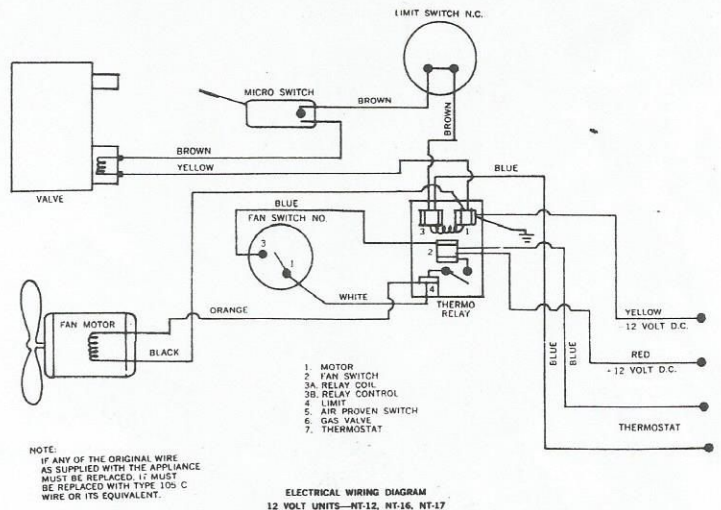
Gaskets for:

Burner Tunnel	070450
Combustion Air Box	070446
Electrode	070163
Manifold	070449
Motor	070448
Burner Access Door	070398



NT-17C
Pilot Ignition

Description	Part No.
Vent Cap Assembly	260164
Thermostat	160902
Fan Switch	230292
Combustion Air Blower Wheel Kit	230400
Motor Kit	520388
Thermostat Fan Motor	230423
Thermocouple	60876
Main Burner Orifice	180113
Pilot Burner Orifice	160659
Pilot Burner	160535
Valve Kit	520402
Microswitch	230444
Complete Gasket Kit	520226

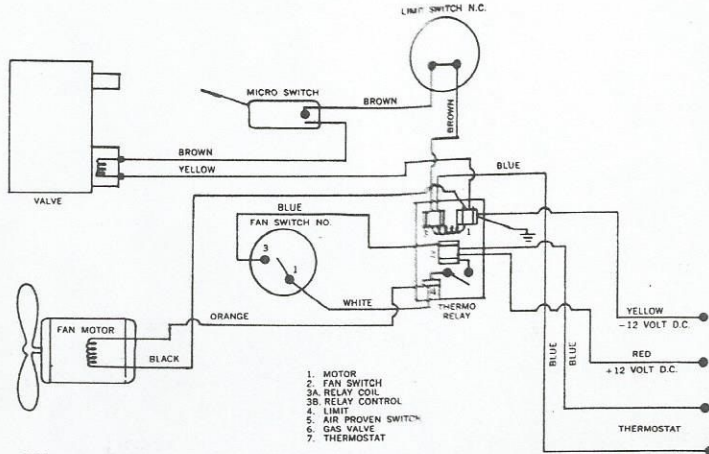


PARTS NO LONGER AVAILABLE FOR THESE MODELS - SEE SERVICE BULLETIN RV96366

NT-20, NT-22, NT-30, NT-32
Pilot Ignition

Description	Part No.	Motor Kit (NT-22).....	520390
Vent Cap Assembly	260164	Motor (NT-32).....	231207
Thermostat	160902	Large Blower Wheel Kit (NT-20, NT-22, NT-30) ..	520399
Thermostat Relay	230423	Blower Wheel (NT-32)	350068
Fan Switch	230575	Small Blower Wheel (NT-32)	350069
Limit Switch (NT-22, NT-30, NT-32)	230389	Valve (Serial Number Below 0135300)	160911
Thermocouple (Serial Number Below 0283374) ..	160706	Valve (Serial Number Above 0135300)	160659
Thermocouple (Serial Number Above 0283374) ..	160706	Main Burner Orifice (NT-30 and NT-32)	180193
Pilot Burner	160535	Main Burner Orifice (NT-20 and NT-22)	180188
Motor Kit (NT-30)	520391	Valve (Serial Number Below 0135300) Pilot	160540

**PARTS NO LONGER AVAILABLE
FOR THESE MODELS - SEE
SERVICE BULLETIN RV96366**



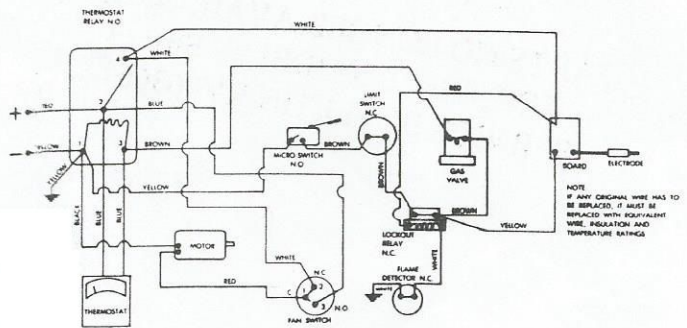
NOTE:
IF ANY OF THE ORIGINAL WIRE
THAT IS SUPPLIED WITH THE
APPLIANCE MUST BE REPLACED,
IT MUST BE REPLACED WITH
TYPE 105 C WIRE OR ITS
EQUIVALENT.

ELECTRICAL WIRING DIAGRAM
12 VOLT UNITS—NT-22, NT-32—A & C

NT-22CE, NT-32CE
NT-22AE, NT-32AE
NT-22FC, NT-32FC
NT-22FCA, NT-32FCA
Electronic Ignition

Description	Part No.
Vent Cap Assembly	260164
Thermostat	160902
Thermostat Relay	230423
Fan Switch (CE, AE Models Only)	230128
Fan Switch (FC, FCA Models Only)	230575
Limit Switch	230389
Module Board (FC, FCA Models Only)	520741
Electrode Assembly	230590
Motor Kit (NT-22)	520390
Motor (NT-32)	231207
Large Blower Wheel Kit (NT-20, NT-22, NT-30) ..	520399
Large Blower Wheel (NT-32)	350068
Small Blower Wheel (NT-32)	350069
Microswitch Assembly (NT-22)	230449
Microswitch Assembly (NT-32)	230443
Valve	160911
Main Burner Orifice (NT-22)	180188
Main Burner Orifice (NT-32)	180193

**PARTS NO LONGER AVAILABLE
FOR THESE MODELS - SEE
SERVICE BULLETIN RV96366**

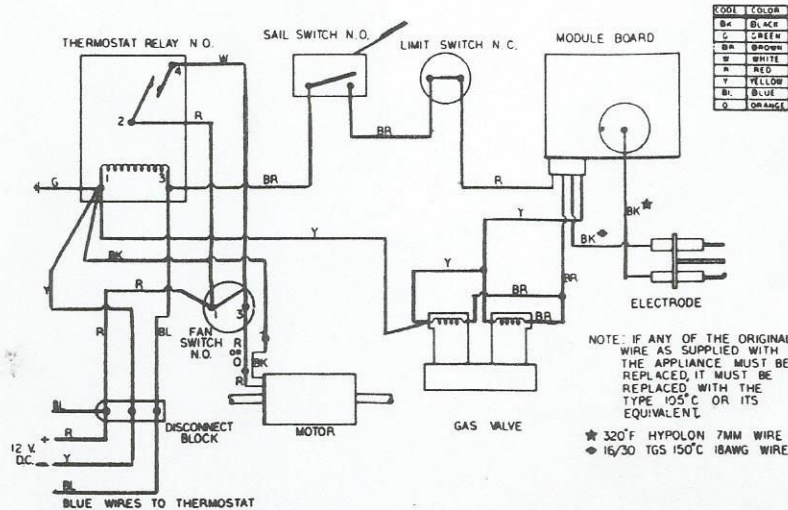


ELECTRICAL WIRING DIAGRAM
12 VOLT UNITS—NT-20, NT-22, NT-32—AE & CE

(8)

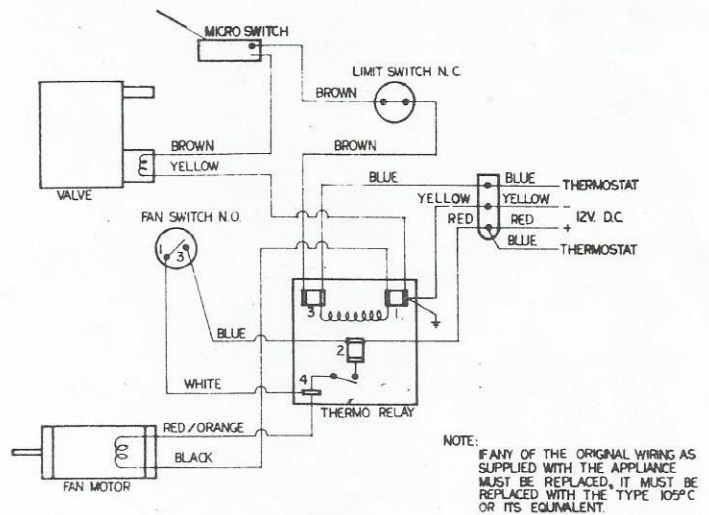
**NT-24M, NT-30M, NT-34M
NT-24MD, NT-30MD, NT-34MD
Electronic Ignition**

Description	Part No.		Part No.
Thermostat	160902	Main Burner Orifice (NT-30)	180214
Electrode	230590	Main Burner Orifice (NT-34)	180222
Limit Switch	230496	Main Burner	010609
Module Board	520741	Room Air Wheel	350113
Thermostat Relay	230530	Microswitch Assembly (NT-24)	230510
Fan Switch	230575	Microswitch Assembly (NT-30 and NT-34)	230509
Vent Cap	260164	Motor (NT-24)	231206
Valve (Below Serial #1356773)	160911	Motor (NT-30)	231207
Valve (Above Serial #1356773)	161078	Motor (NT-34)	231208
Main Burner Orifice (NT-24)	180215	Combustion Air Blower Wheel	350077



**NT-24MP, NT-30MP
NT-24MPD, NT-30MPD
Pilot Ignition**

Description	Part No.
Thermostat	160902
Limit Switch	230496
Vent Cap Assembly	260164
Fan Switch	230575
Thermostat Relay	230423
Pilot Burner Assembly	160618
Pilot Orifice	160659
Thermocouple	160876
Main Burner Orifice (NT-24)	180215
Main Burner Orifice (NT-30)	180214
Main Burner	010609
Room Air Blower Wheel	350113
Microswitch Assembly (NT-24)	230510
Microswitch Assembly (NT-30)	230509
Motor (NT-24)	231206
Motor (NT-30)	231207
Combustion Air Blower Wheel	350077

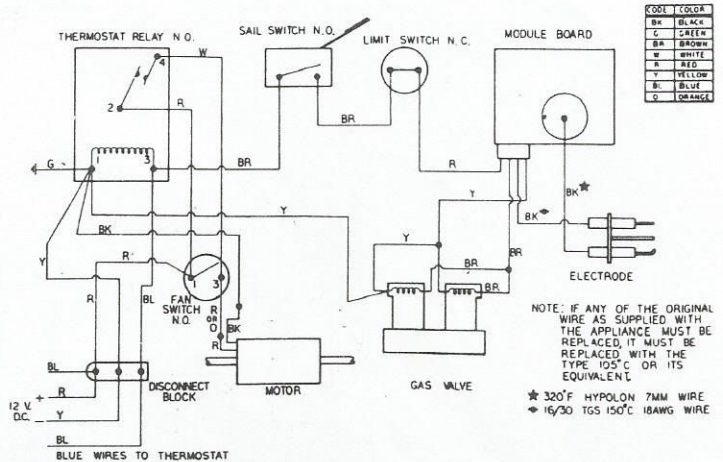


NT-24H, NT-30H, NT-34H
NT-24HA, NT-30HA, NT-34HA
Electronic Ignition

Description	Part No.
Thermostat	160902
Electrode	230590
Limit Switch	230496
Module Board	520741
Thermostat Relay	230423
Fan Switch	230575
Valve (Before Serial #1356773)	160911
Valve (After Serial #1356773)	161078
Main Burner Orifice (NT-24)	180215
Main Burner Orifice (NT-30)	180214
Main Burner Orifice (NT-34)	180178
Main Burner	010609
Room Air Blower Wheel	350113
Microswitch Assembly (NT-24)	230510
Microswitch Assembly (NT-30 and NT-34)	230509
Motor (NT-24H)	231206
Motor (NT-24HA and NT-30H)	231207
Motor (NT-30HA and NT-34H)	231208
Combustion Air Blower Wheel	350077

Gaskets for:

Electrode	070163
Access Door	070398
Manifold	070408
Gas Inlet Pipe	070476
Decorative Back	070477
Motor Mount	070384
Combustion Air Housing	070386
Crossover Tube	070385

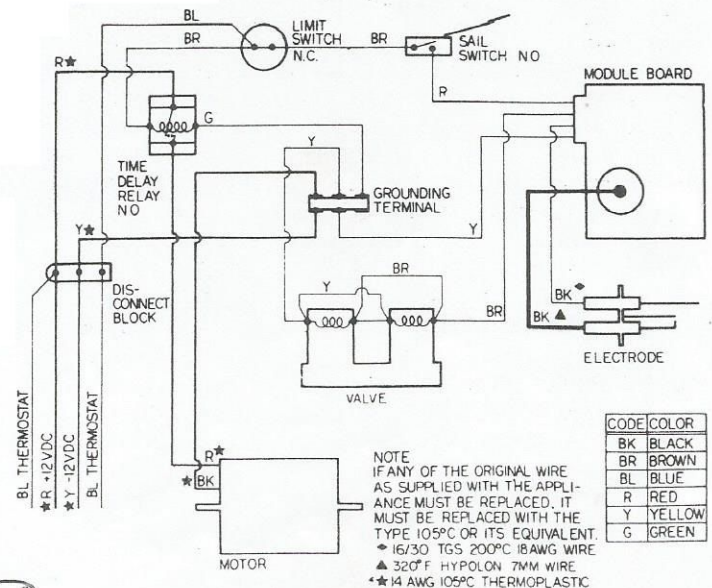


NT-24S, NT-30S, NT-34S
NT-24SP, NT-30SP, NT-34SP
Electronic Ignition

Description	Part No.
Thermostat	160902
Electrode Assembly (Below Serial #920500001)	230956
Electrode Assembly (Above Serial #920500001)	231933
Limit Switch (NT-24S/30S/34S & 34SP)	230496
Limit Switch (NT-24SP)	231626
Limit Switch (NT-30SP)	231244
Module Board (Below Serial #920500001)	520741
Module Board (Above Serial #920500001)	231741
Fan Switch	230575
Thermostat Relay	230530
Time Delay (Above Serial #1600851)	231202
Vent Cap Assembly	260111
Valve	161078
Main Burner Orifice (NT-24)	180215
Main Burner Orifice (NT-30)	180214
Main Burner Orifice (NT-34)	180222
Main Burner	010619
Room Air Blower Wheel	350113
Microswitch Assembly (NT-24)	230510
Microswitch Assembly (NT-30 and NT-34)	230509
Motor (NT-24)	231206
Motor (NT-30)	231207
Motor (NT-34)	231208
Combustion Air Blower Wheel (S Models Only)	350069
Combustion Air Blower Wheel (SP Models Only)	350110

Gaskets for:

Bottom Duct Adaptor	062164
Electrode	070163
Burner Access Door	070398
Manifold	070408
Combustion Air Housing	070386
Crossover Tube	070385
Gas Inlet Pipe	070432
Motor Mount	070384



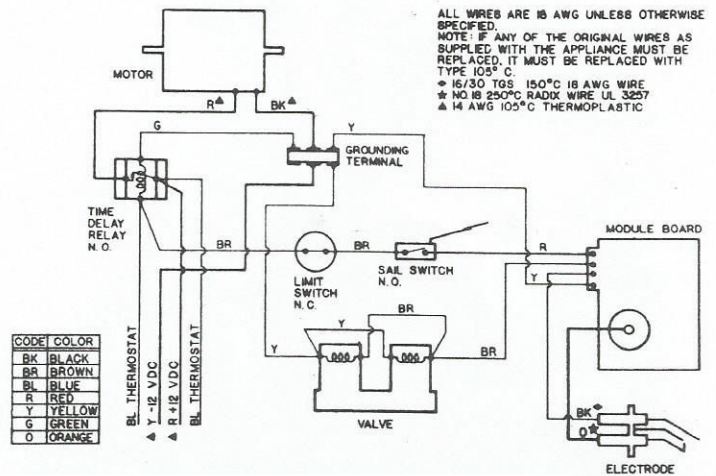
10

**NT-25K, NT-30K, NT-35K
Electronic Ignition**

Description	Part No.
Thermostat	160902
Electrode Assembly	231168
Limit Switch (NT-25K)	231780
Limit Switch (NT-30K)	231204
Limit Switch (NT-35K)	231227
Module Board	520741
Time Delay Relay	230625
Vent Cap Assembly (Full)	260156
Vent Cap Assembly (Half)	260157
Valve	161078
Main Burner Orifice (NT-25K)	180215
Main Burner Orifice (NT-30K)	180193
Main Burner Orifice (NT-35K)	180222
Room Air Blower Wheel	350105
Microswitch Assembly	230509
Motor (NT-25K and NT-30K)	231166
Motor (NT-35K)	231226
Combustion Air Blower Wheel	350118

Gaskets for:

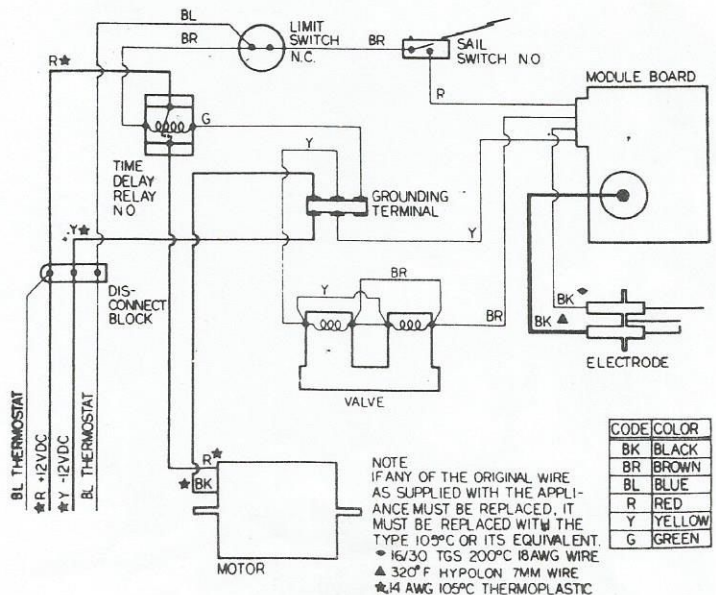
Bottom Duct Adaptor	062164
Electrode	070163
Observation Hole	070367
Manifold	070698
Combustion Air Housing	070406
Motor	070706
Crossover	070704



**NT-24HS, NT-30HS, NT-34HS
Electronic Ignition**

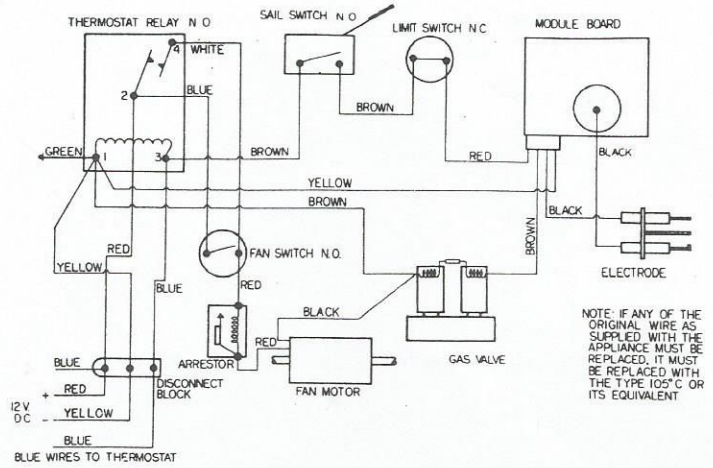
Description	Part No.
Thermostat	160902
Limit Switch	230496
Thermostat Relay	230530
Fan Switch	230575
Module Board	520741
Electrode Assembly	520733
Main Burner	010619
Main Burner Orifice (NT-24)	180215
Main Burner Orifice (NT-30)	180214
Main Burner Orifice (NT-34)	180222
Valve	161078
Room Air Blower Wheel	350113
Microswitch Assembly	230509
Motor (NT-24)	231207
Motor (NT-30 and NT-34)	231208
Combustion Air Blower Wheel	350069

Motor Mount	070384
Combustion Air Housing	070386
Module Board Plate	070479
Electrode	070163
Crossover Tube	070385



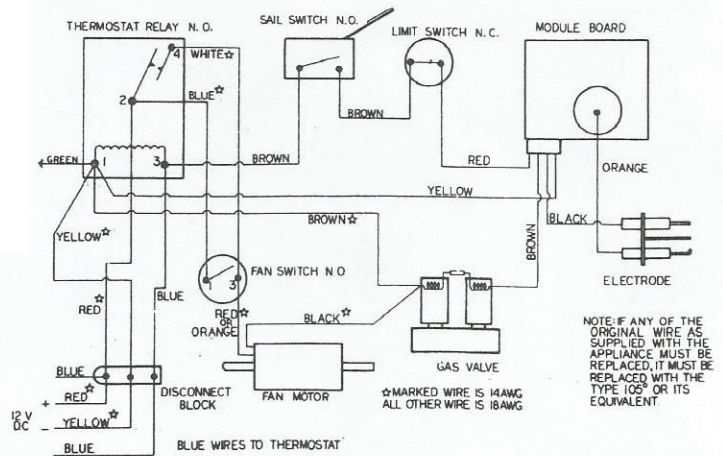
**NT-24MA, NT-30MA
Electronic Ignition**

Description	Part No.
Thermostat	160902
Electrode Assembly	230590
Limit Switch	230496
Module Board	520741
Vent Cap Assembly	260164
Fan Switch	230575
Thermostat Relay	230423
Valve	160911
Main Burner Orifice	180178
Main Burner	010581
Room Air Blower Wheel	350113
Microswitch Assembly	230509
Combustion Air Blower Wheel	350077
Motor (NT-24)	231207
Motor (NT-30)	231208
Gaskets for:	
Electrode	070163
Manifold	070408
Motor Mount	070384
Access Door	070398
Crossover Tube	070385
Combustion Air Housing	070386



**NT-34L
NT-34MM
Electronic Ignition**

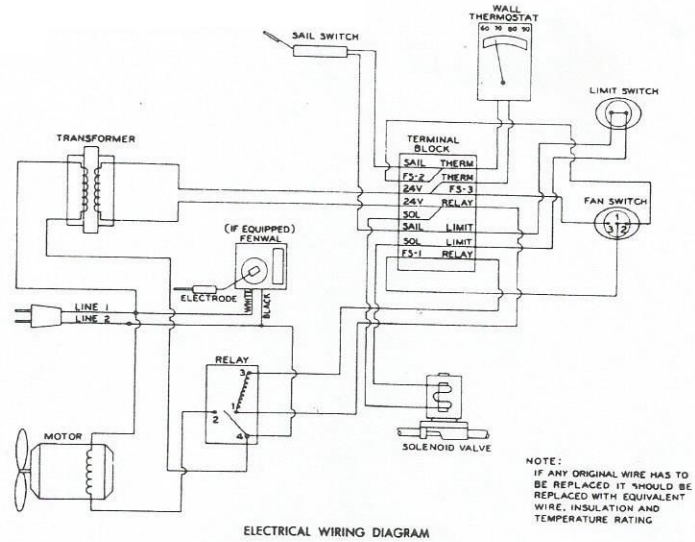
Description	Part No.
Thermostat	160902
Electrode Assembly	230590
Limit Switch	230496
Module Board	520741
Vent Cap Assembly	260164
Fan Switch	230575
Thermostat Relay	230423
Valve	160911
Main Burner Orifice	180222
Main Burner	010609
Room Air Blower Wheel	350113
Microswitch Assembly	230509
Motor	231208
Combustion Air Blower Wheel	350077
Gaskets for:	
Electrode	070163
Manifold	070408
Motor Mount	070384
Burner Access Door	070398
Crossover Tube	070385
Combustion Air Housing	070386



N-32C
Pilot Ignition

Description	Part No.
Thermostat	160902
Thermostat Relay	230423
Main Burner Orifice	180195
Vent Cap Assembly	260164
Fan Switch	230575
Limit Switch	230560
Thermocouple (Serial Number Below 0283374)	160527
Thermocouple (Serial Number Above 0283374)	160706
Pilot Burner	160535
Large Blower Wheel	350068
Small Blower Wheel	350069
Valve (Serial Number Below 0135300)	160911
Pilot Orifice	160659

PARTS NO LONGER AVAILABLE FOR THESE MODELS - SEE SERVICE BULLETIN RV96366

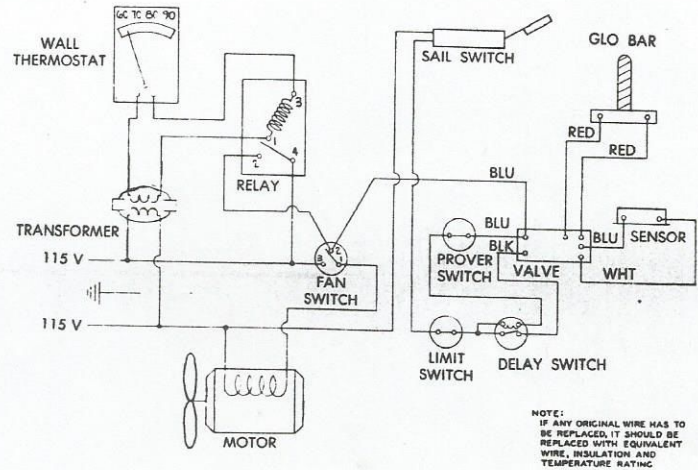


ELECTRICAL WIRING DIAGRAM

N-32CG
Glo-bar Ignition

Description	Part No.
Vent Cap Assembly	260164
Thermostat	160902
Fan Switch	230575
Limit Switch	230389
Glo-bar Ignitor	230354
Main Burner Orifice (Natural Gas)	180193
Main Burner Orifice (LP Gas)	180195
Large Blower Wheel	350068
Small Blower Wheel	350069
Microswitch	230443

PARTS NO LONGER AVAILABLE FOR THESE MODELS - SEE SERVICE BULLETIN RV96366

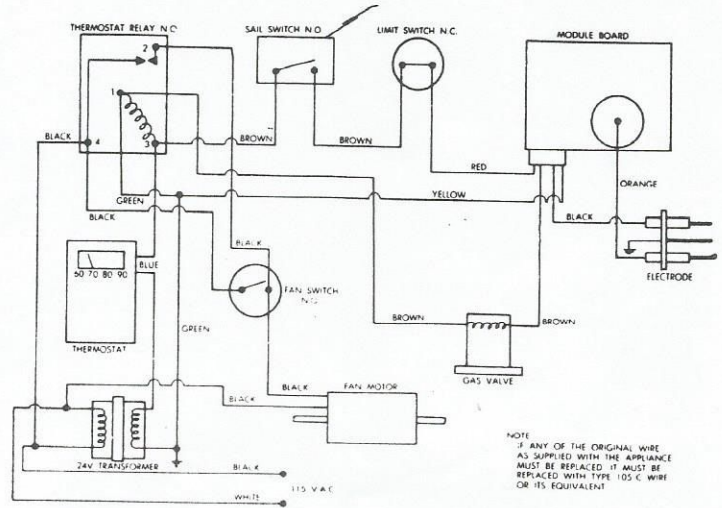


N-32CG
ELECTRICAL WIRING DIAGRAM

N-32FC
Electronic Ignition

Description	Part No.
Thermostat	160902
Fan Switch	230575
Module Board	230608
Room Air Blower Wheel	350068
Combustion Air Blower Wheel	350069
Microswitch	230443
Valve	160888
Vent Cap Assembly	260164
Thermostat Relay	230423
Limit Switch	230389
Electrode Assembly	230590
Main Burner Orifice	180193

PARTS NO LONGER AVAILABLE FOR THESE MODELS - SEE SERVICE BULLETIN RV96366



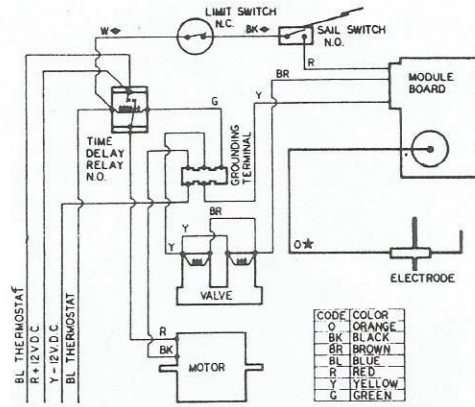
ELECTRICAL WIRING DIAGRAM
N-32FC

SF-20, SF-25, SF-30, SF-35
SF-20F, SF-25F, SF-30F, SF-35F
Electronic Ignition

Description	Part No.
Thermostat	160902
Electrode (Before Serial #921403896)	231740
Electrode (Began Serial #934701427)	232287
Electrode (Began Serial #921403896)	232166
Limit Switch (SF-20/25/30/35) (Before Serial # 921403896)	231630
Limit Switch (SF-20) After Serial #921403896	232200
Limit Switch (SF-25/30/35) (After Serial #921403896)	231799
Module Board	231741
Relay	231202
Vent Cap Assembly	260193
Valve	161070
Main Burner Orifice (SF-20)	180188
Main Burner Orifice (SF-25)	180193
Main Burner Orifice (SF-30)	180214
Main Burner Orifice (SF-35)	180222
Main Burner (SF-20)	010767
Main Burner (SF-25)	010762
Main Burner (SF-30/35)	010745
Room Air Blower Wheel	350123
Microswitch Assembly	232261
Motor Assembly (SF-20/25/30)	231706
Motor Assembly (SF-35)	231707
Combustion Air Wheel (SF-25/30/35)	350128
Combustion Air Wheel (SF-20)	350127

Gaskets for:

Observation Hole Cover	070367
Burner Access Cover	070811
Electrode	070163
Combustion Air Housing	070810
Motor	070812



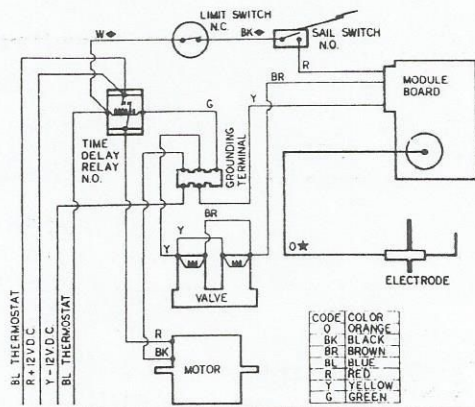
ALL WIRES ARE 18 AWG UNLESS OTHERWISE SPECIFIED.
NOTE: IF ANY OF THE ORIGINAL WIRES AS SUPPLIED WITH THE APPLIANCE MUST BE REPLACED, IT MUST BE REPLACED WITH WIRING MATERIAL HAVING A TEMPERATURE RATING OF AT LEAST 105°C
◆ 16/30 TGS 150°C 18 AWG WIRE
★ NO 18 250°C RADIX WIRE UL3257

SF-42, SF-42F
Electronic Ignition

Description	Part No.
Thermostat	160902
Electrode (Before Serial #934701427)	232166
Electrode (After Serial #934701427)	232287
Limit Switch	232231
Module Board	231741
Relay	230625
Vent Cap Assembly	260193
Valve	161070
Main Burner Orifice	180216
Main Burner	010799
Room Air Blower Wheel	350129
Sail Switch	232261
Motor Assembly	232212
Combustion Air Wheel	350183

Gaskets for:

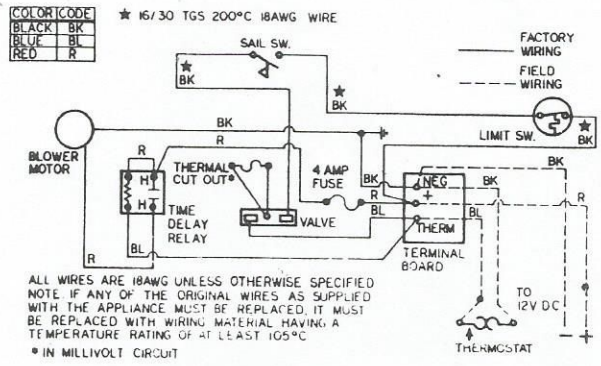
Burner Access Cover	070811
Combustion Air Housing	070810
Motor	070812



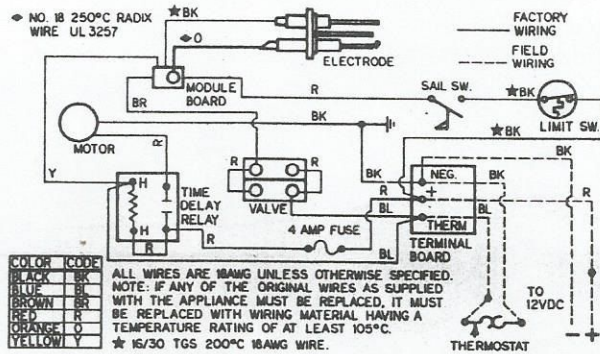
ALL WIRES ARE 18 AWG UNLESS OTHERWISE SPECIFIED.
NOTE: IF ANY OF THE ORIGINAL WIRES AS SUPPLIED WITH THE APPLIANCE MUST BE REPLACED, IT MUST BE REPLACED WITH WIRING MATERIAL HAVING A TEMPERATURE RATING OF AT LEAST 105°C
◆ 16/30 TGS 150°C 18 AWG WIRE
★ NO 18 250°C RADIX WIRE UL3257

DD-12P, DD-17P, DD-17DSI
 DD-12P, DD-17P — Pilot Ignition DD-17DSI — Electronic Ignition

Description	Part No.
Thermostat (DD-12P, DD-17P)	160912
Thermostat (DD-17DSI)	160902
Microswitch	231930
Combustion Air Wheel	350126
Burner	010763
Room Air Impeller	350125
Motor (DD-12P, DD-17P)	231916
Motor (DD-17DSI)	231915
Module Board (DD-17DSI)	520741
Time Delay Relay	231769
Terminal Strip	230714
Valve (DD-17DSI)	161071
Valve (DD-12P, DD-17P)	160949
Electrode (DD-17DSI)	231934
Grille Assembly	030769
Limit Switch	231768
Fuse Holder	231908
Orifice (DD-12P)	180258
Orifice (DD-17P, DD-17DSI)	530415
Thermocouple (DD-12P, DD-17P)	231765
Split Mount Adaptor (DD-12P, DD-17P)	230798
Mag Adaptor Assembly (DD-12P, DD-17P)	231798
Piezo	230325
Piezo Kit	520577
Vent Kit (2" - 4")	260197
Vent Kit (4" - 6")	260198
Vent Kit (6" - 9")	260199
Gaskets for:	
Motor	070849
Microswitch	230877
Combustion Air (Front)	070862
Combustion Air (Rear)	070906
Burner Tunnel	070859
Manifold	070847
Burner Tunnel (Chamber End)	070848
Burner Access Door	070850



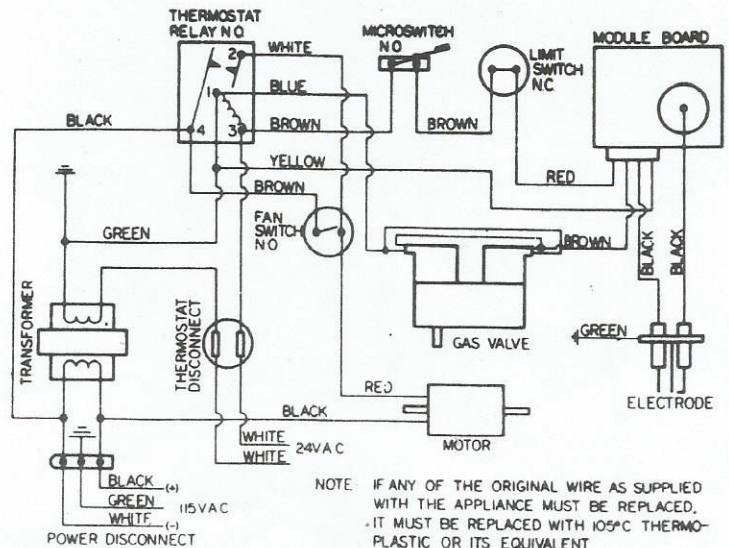
DD-12P, DD-17P



DD-17DSI

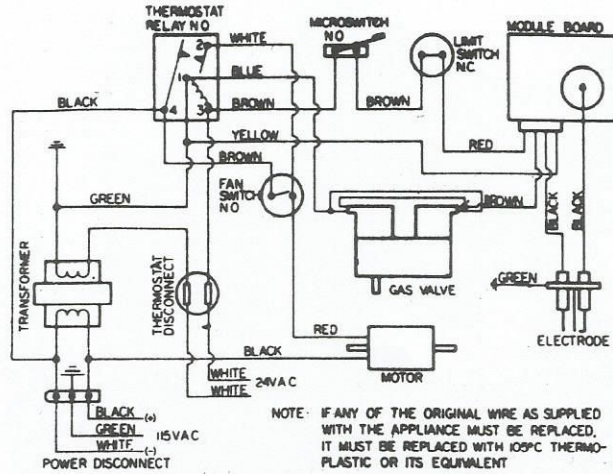
N-30M
 Electronic Ignition

Description	Part No.
Thermostat	160902
Electrode	230590
Limit Switch	230496
Thermostat Relay	230135
Module Board	230608
Fan Switch	230575
Vent Cap Assembly	260164
Valve (Before Serial #1356773)	160888
Valve (After Serial #1356773)	161082
Main Burner Orifice	180214
Main Burner	010609
Room Air Wheel	350113
Microswitch Assembly	230509
Motor	232302
Combustion Air Wheel	350077



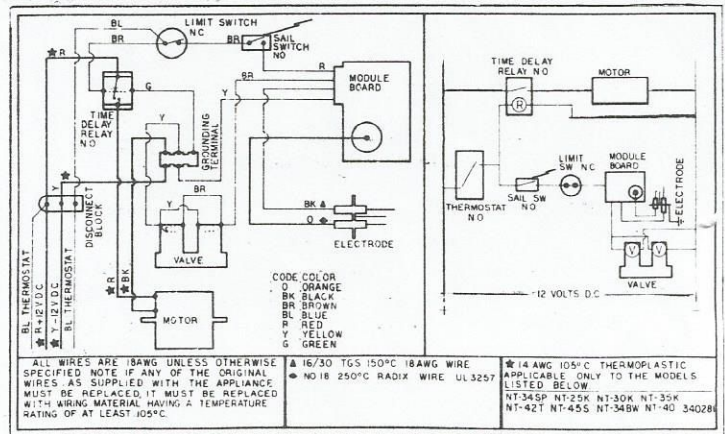
**P-30S
Electronic Ignition**

Description	Part No.
Thermostat	160902
Electrode Assembly	230956
Limit Switch	230496
Module Board	230608
Relay	231202
Vent Cap Assembly	260164
Burner Assembly	010619
Main Burner Orifice (LP)	180214
Valve	160844
Room Air Blower Wheel	350113
Transformer	230998
Motor	232302
Microswitch	230509
Combustion Air Blower Wheel	350069
Gaskets for:	
Bottom Duct Adaptor	062164
Burner Access Door	070398
Gas Inlet Pipe	070432
Motor Mount	070384
Electrode	070163
Manifold	070408
Crossover Tube	070385
Combustion Air Housing	070386



**NT-40
Electronic Ignition**

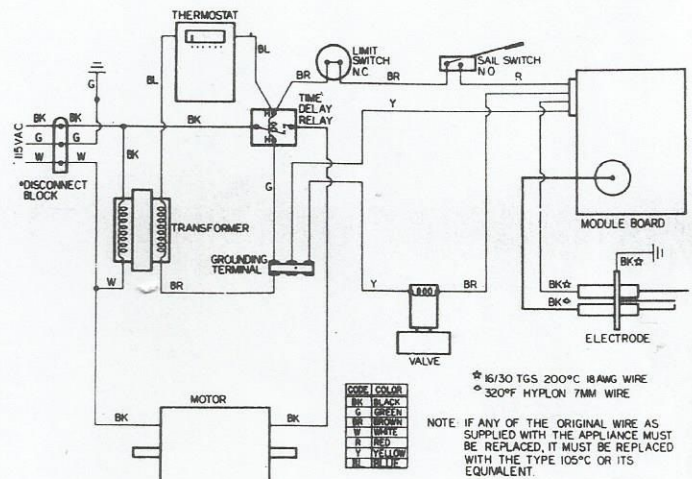
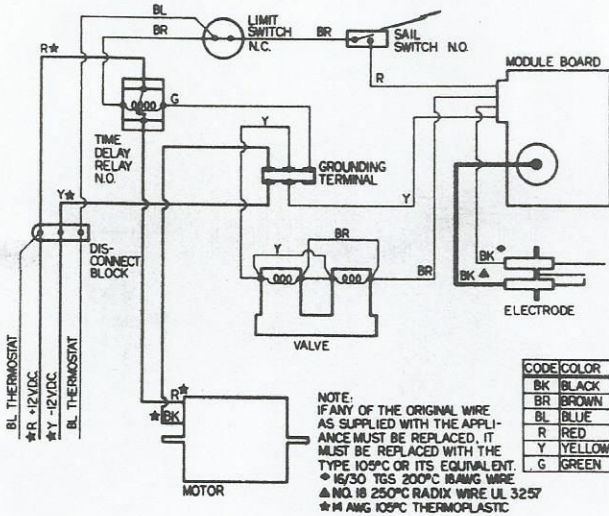
Description	Part No.
Thermostat	160902
Electrode (Below Serial #9205000017)	230956
Electrode (Above Serial #920500001)	231933
Limit Switch	231807
Module Board	520741
Time Delay Relay	231202
Valve	161078
Main Burner Orifice	180216
Room Air Blower Wheel	350098
Main Burner	010702
Motor	231208
Microswitch	232279
Burner Access Gasket	070398
Vent Cap	260123



**NT-45M
P-45M
Electronic Ignition**

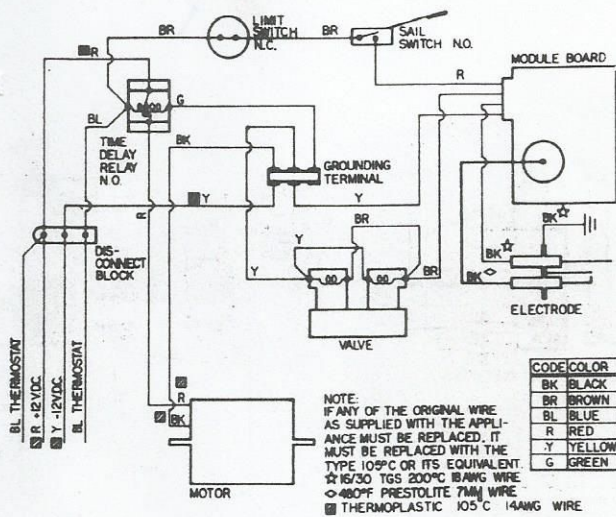
Description	Part No.
Thermostat	160902
Vent Tube Assembly	260105
Limit Switch	230496
Electrode	230782
Time Delay Relay	230625
Orifice (LP)	180215
Orifice (Natural)	180229
Valve (P-45M)	160888
Valve (NT-45M)	160911
Clockwise Blower Wheel (P-45M)	350088
Clockwise Blower Wheel (NT-45M)	350079
Counterclockwise Blower Wheel (P-45M)	350087
Counterclockwise Blower Wheel (NT-45M)	350080
Combustion Air Wheel (P-45M)	350085
Combustion Air Wheel (NT-45M)	350069

Microswitch Assembly	230509
Motor (P-45M)	230771
Motor (NT-45M)	230772
Module Board (P-45M)	230608
Module Board (NT-45M)(Use 520612 Only)	520612
Gaskets for:	
Bottom Duct Discharge	070560
Air Adjustment Cover	070407
Manifold	070418
Gas Inlet Pipe	070432
Combustion Air Crossover	070420
Burner Access Door	070398
Electrode	070163
Motor	070439
Combustion Air Cover	070419
Combustion Air Housing	070406



NT-45S
P-45S
Electronic Ignition

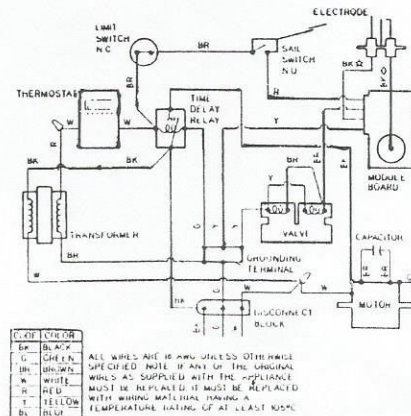
Description	Part No.	Combustion Air Blower Wheel (P-45S)	350085
Thermostat	160902	Room Air Blower Wheel (Counterclockwise Rotation) NT-45S	350080
Vent Cap Assembly	260105	Room Air Blower Wheel (Counterclockwise Rotation) P-45S	350087
Electrode Assembly	230832	Module Board (NT-45S)(Use 520612 Only)	520612
Limit Switch	230496	Module Board (P-45S)	230608
Time Delay Relay	230625	Power Supply Harness (Outside)	230789
Valve (12V LP Gas Only) NT-45S	160840	Gaskets for:	
Valve (24V LP Gas Only) P-45S	160822	Bottom Duct Adaptor	070306
Valve (24V Natural Gas Only) P-45S	160821	Burner Access Door	070398
Main Burner Orifice (LP Gas Only)	180215	Disc Cover	070534
Main Burner Orifice (Natural Gas Only)	180229	Combustion Air Cover	070570
Burner Assembly, Right Side	010623	Combustion Air Housing	070406
Burner Assembly, Left Side	010621	Electrode	070163
Room Air Wheel (Clockwise Rotation) NT-45S	350079	Gas Inlet Pipe	070432
Room Air Wheel (Clockwise Rotation) P-45S	350088	Manifold	070591
Microswitch	230509	Combustion Air Crossover	070420
Motor (NT-45S)	230772	Blower Motor	070439
Motor (P-45S)	230823		
Combustion Air Blower Wheel (NT-45S)	350069		



P-40S
Electronic Ignition

Description	Part No.
Thermostat	160902
Transformer	231779
Electrode	230956
Splicer	230714
Module Board	230608
Time Delay Relay	231202
Burner	010752
Orifice (LP only)	180216
Orifice (Natural only)	180259
Valve	160947
Motor	231753
Microswitch	230493
Capacitor Boot	231231
Capacitor	230738
Room Air Wheel	350086
Combustion Air Wheel	350124
Limit Switch	230825

Gaskets for:	Part No.
Electrode	070163
Burner Access Door	070398
Manifold	070408
Crossover Tube	070385
Motor	070844
Combustion Air Housing	070386



NT-42S
NT-42T
Electronic Ignition

OK TO USE
SOME PARTS
FOR NT40

410100

GT-8D
Pilot Ignition

Description	Part No.
Thermostat	160902
Electrode	230956
Limit Switch	230888
Module Board	520741
Fan Switch	230575
Relay	230423
Vent Cap Assembly	260164
Burner Assembly	010702 010639
Main Burner Orifice	180216
Valve	161078
Room Air Blower Wheel	350098
Microswitch Assembly	230509 SAIL
Motor	231208
Combustion Air Blower Wheel	350077
Time Delay Relay	231202
Gaskets for:	
Electrode	070163
Manifold	070408
Motor Mount	070384
Burner Access Door	070398
Crossover Tube	070385
Combustion Air Housing	070386

Description	Part No.
Pilot Burner	160774
Valve	160807
Linear Limit Switch	230636
Gaskets for:	
Observation Hole Cover	070367
Pilot Burner	070357
Burner Access Door	070307
Manifold Pipe	070350

GT-10DB
Pilot Ignition

Description	Part No.
Motor	230609
Valve	160807
Main Burner Orifice	180226
Pilot Burner	160774
Thermopile	230614
Linear Limit Switch	230636
Gaskets for:	
Manifold Pipe	070350
Combustion Chamber Door	070454
Thermopile	450340
Pilot Burner	070357
Observation Hole Cover	070367

GT-10D
Pilot Ignition

Description	Part No.
Main Burner Orifice	180226
Pilot Burner	160774
Thermocouple	230799
Valve	160807
Limit Switch	230808
Gaskets for:	
Burner Access Door	070454
Manifold	070350
Observation Hole Cover	070367
Pilot Burner	070357

ACCESSORY ITEMS

Description	Part No.
Quick Disconnect (Male-External) for NT Series	520322
Quick Disconnect (Female-Internal) for NT Series	520323
Bottom Duct Adaptor (NT-24/30/34 Series to Convert From NT-22/30/32)	050618
Duct Collar	050715
Adaptor Plate (For Large Openings in Trailer Skins)	260089

TD 31017 → LS
230423
230575

