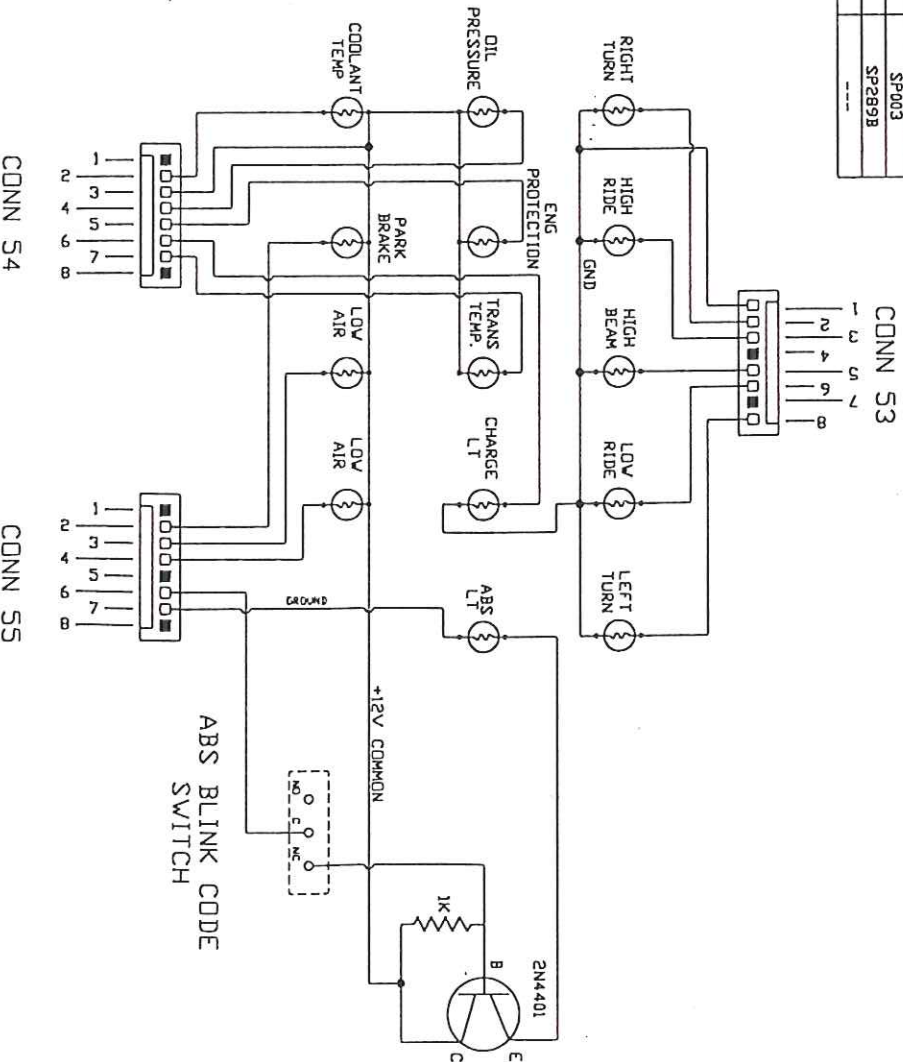
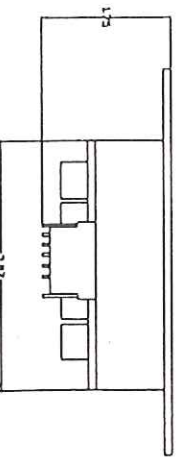
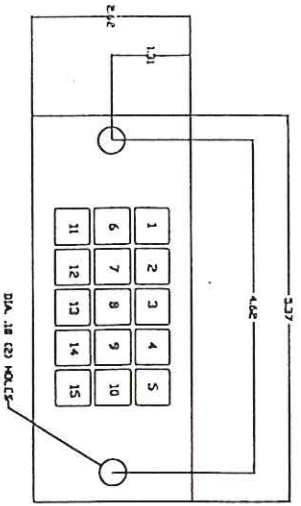


LOCATION	DESCRIPTION	COLOR	WIRE #
1	COMMON GND	WHITE	SP270U
2	RIGHT TURN	GREEN	SP045B
3	HIGH RIDE	TAN	SP295
4	---	---	---
5	HIGH BEAM	BLACK	SP061B
6	LOW RIDE	TAN	SP279
7	---	---	---
8	LEFT TURN	YELLOW	SP044B

LOCATION	DESCRIPTION	COLOR	WIRE #
1	---	---	---
2	PARK BRAKE	GREY	ENG23/SP068
3	LOW AIR	---	---
4	LOW AIR	---	---
5	---	---	---
6	ABS DA LT GND	GREY	SP003
7	R4 GND-ECAS	WHITE	SP289B
8	---	---	---

LOCATION	DESCRIPTION	COLOR	WIRE #
1	---	---	---
2	COOLANT TEMP	PINK	EN459/END22
3	+12V COMMON	BLACK	SP020F
4	DIL. PRESSURE	PINK	ENS63/EN041
5	ENG PROTECTION	PINK	EN98B/EN016
6	CHARGE LT	TAN	SP312
7	TRANS TEMP	GREY	VT105A
8	---	---	---



**Spartan Motors Inc.**

WORLD WIDE VEHICLES AND CHASSIS  
 CHARLOTTE MICHIGAN 48813  
 ELECTRICAL ENGINEERING DEPT.

DRAWN BY

TITLE

IRIZAR WARNING DISPLAY (UPPER)

DRAWING NUMBER

DATE  
7-29-98

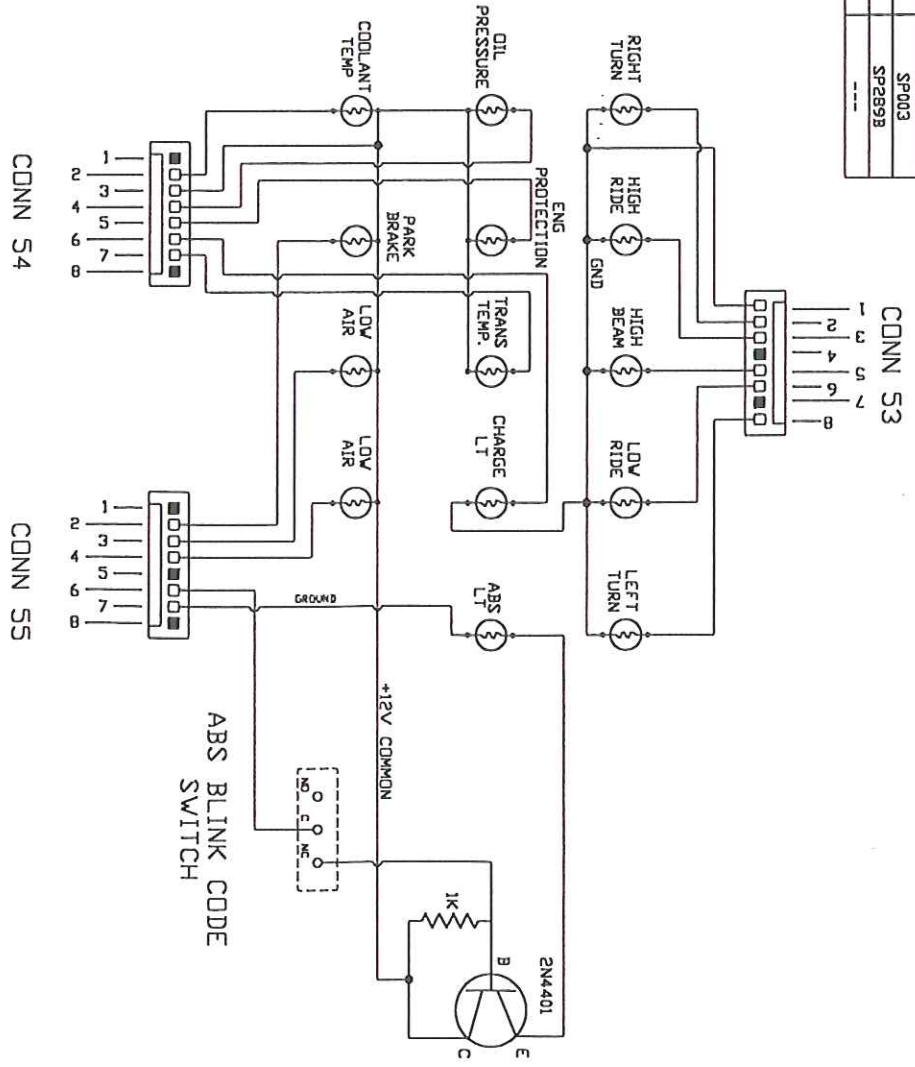
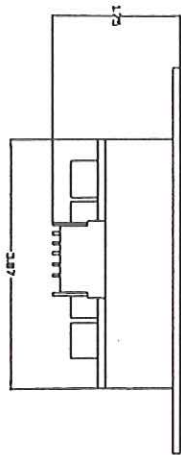
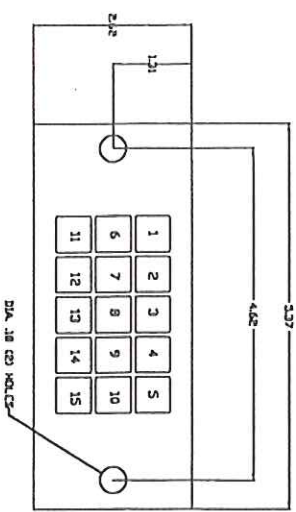
REFERENCE E.C. NO. \_\_\_\_\_  
 REFERENCE S.O. NO. \_\_\_\_\_  
 MUST MEET FEDERAL SPEC. \_\_\_\_\_

740-GG2

LOCATION	DESCRIPTION	COLOR	WIRE #
1	COMMON GND	WHITE	SP270U
2	RIGHT TURN	GREEN	SP045B
3	HIGH RIDE	TAN	SP295
4	---	---	---
5	HIGH BEAM	BLACK	SP061B
6	LOW RIDE	TAN	SP279
7	---	---	---
8	LEFT TURN	YELLOW	SP044B

LOCATION	DESCRIPTION	COLOR	WIRE #
1	---	---	---
2	PARK BRAKE	GREY	EN023/SP05B
3	LOW AIR	---	---
4	LOW AIR	---	---
5	---	---	---
6	ABS DA LT GND	GREY	SP003
7	24 GND-ECAS	WHITE	SP289B
8	---	---	---

LOCATION	DESCRIPTION	COLOR	WIRE #
1	---	---	---
2	COOLANT TEMP	PINK	EN499/END022
3	+12V COMMON	BLACK	SP020F
4	DIL PRESSURE	PINK	ENS63/END41
5	ENG PROTECTION	PINK	EN98B/END16
6	CHARGE LT	TAN	SP312
7	TRANS TEMP	GREY	V7105A
8	---	---	---



○ VIEW LOOKING AT BACK OF 740-GG2 LITE HOUSING



**Spartan Motors Inc.**

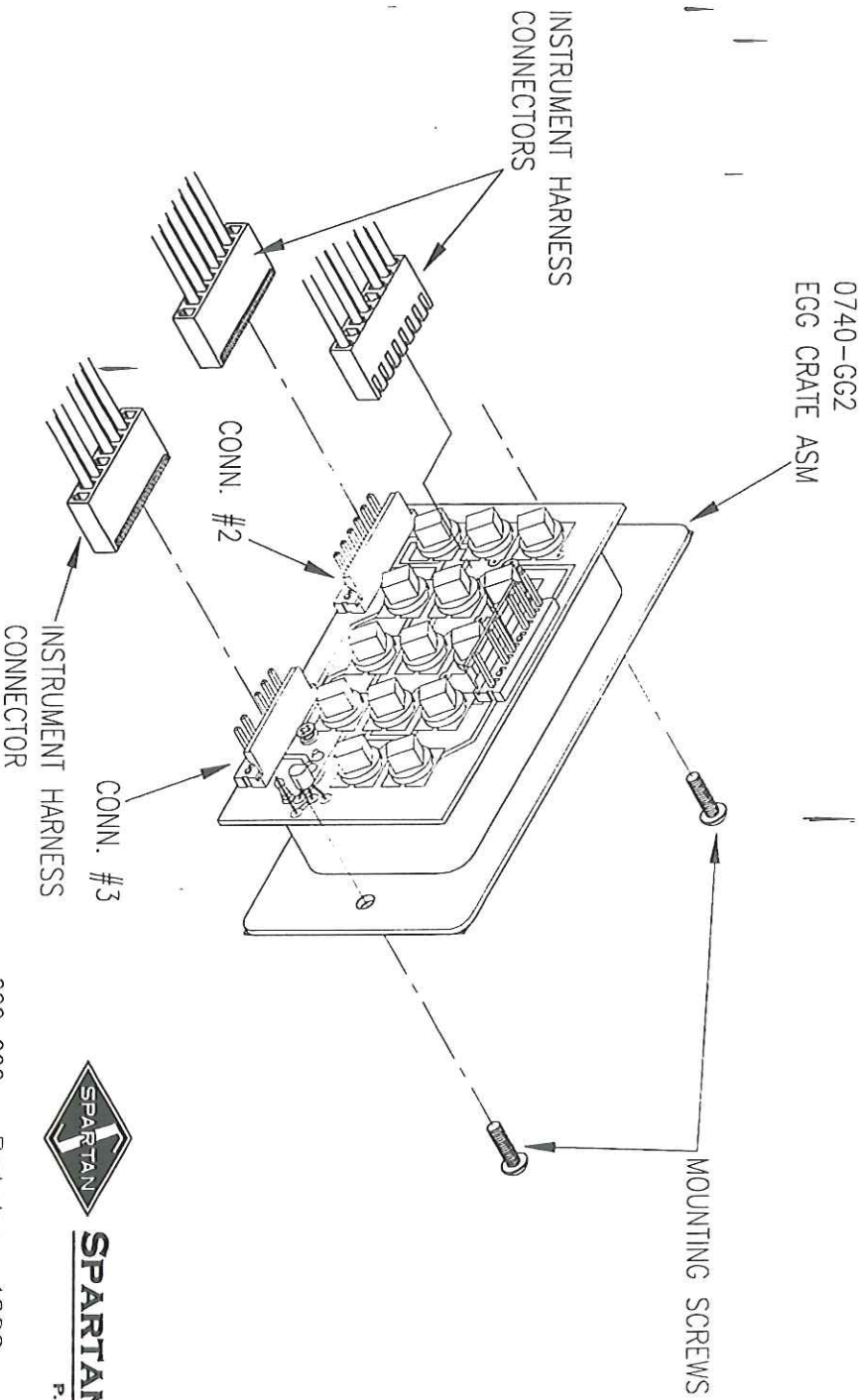
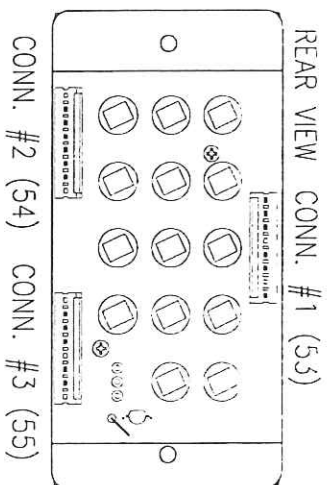
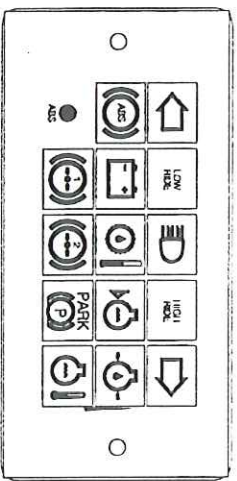
WORLD WIDE VEHICLES AND CHASSIS  
 CHARLOTTE MICHIGAN 49813  
 ELECTRICAL ENGINEERING DEPT.

DATE 7-29-98

TITLE IRIZAR WARNING DISPLAY (UPPER)

740-GG2

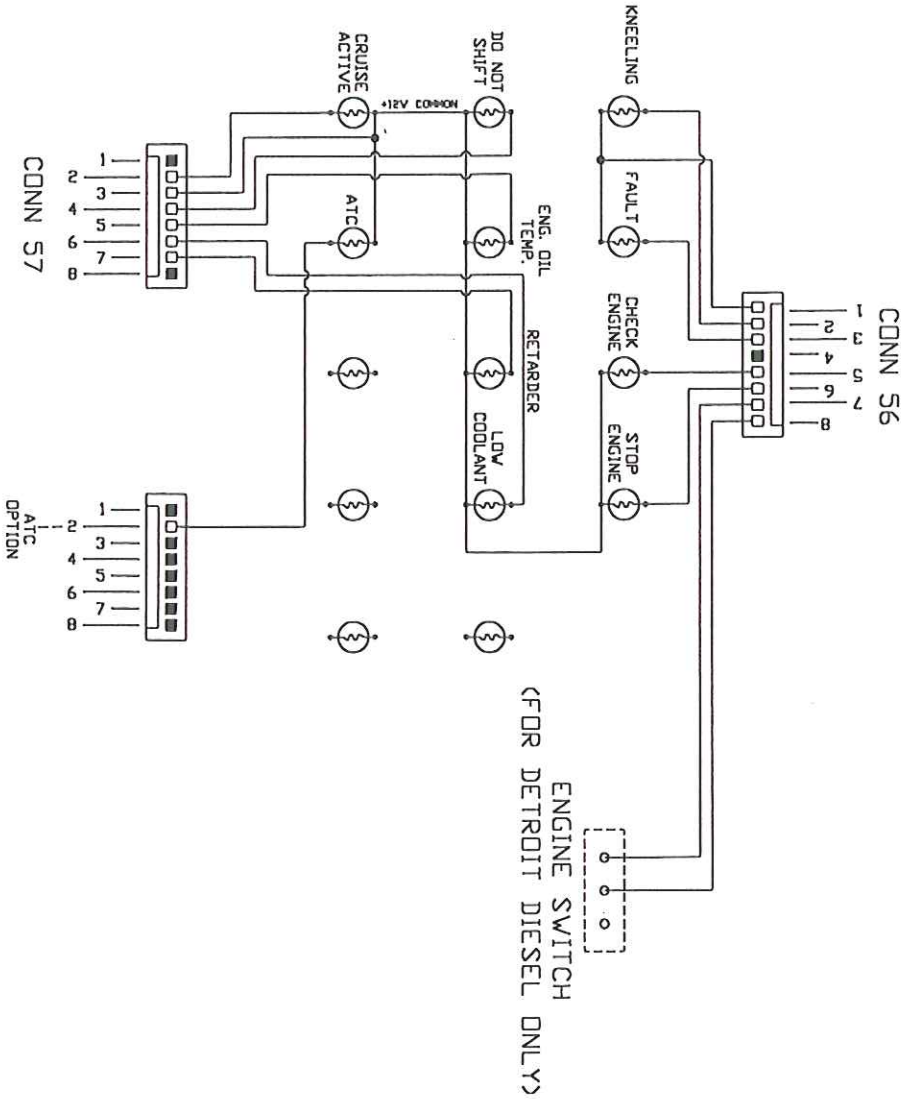
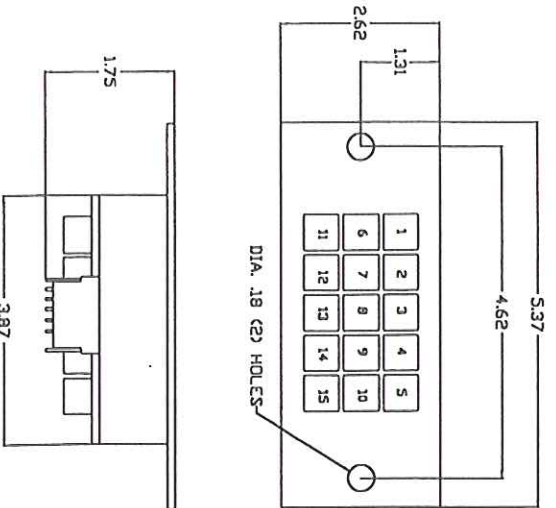
# 0740-GG2 EGG CRATE ILLUSTRATION



**SPARTAN MOTORS, INC.**  
P.O. BOX 440-CHARLOTTE, MI 48813

CONNECTOR S6		
LOCATION	DESCRIPTION	WIRE #
1	+24V IGN PWR	SP053
2	KNEELING	SP289
3	FAULT	SP292
4	---	---
5	CHECK ENGINE	EN419
6	STOP ENGINE	ENS09/END17
7	DIAG REQ ON/OFF	ENS28/END13
8	GND TYPE 1	SP185A

CONNECTOR S7		
LOCATION	DESCRIPTION	WIRE #
1	---	---
2	CRUISE ACTIVE	---
3	+12V COMMON	SP020G
4	DO NOT SHIFT	VT115
5	ENG OIL TEMP	---
6	LOW COOLANT	EN988/END16 A
7	RETARDER	ORANGE
8	---	---



○ VIEW LOOKING AT BACK OF 741-GG2 LITE HOUSING



**Spartan Motors Inc.**

WORLD WIDE VEHICLES AND CHASSIS  
 CHARLOTTE MICHIGAN 48913  
 ELECTRICAL ENGINEERING DEPT.

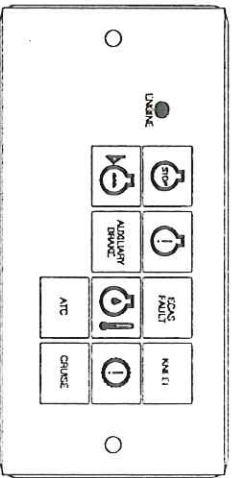
DRAWN BY  
 DATE 7-29-98

TITLE  
 IRIZAR WARNING DISPLAY (LOWER)

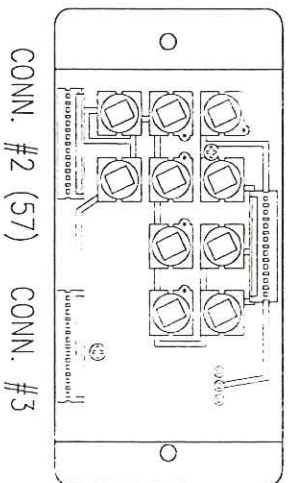
REFERENCE E.C. NO. \_\_\_\_\_  
 REFERENCE S.O. NO. \_\_\_\_\_  
 MUST MEET FEDERAL SPEC. \_\_\_\_\_  
 DRAWING NUMBER  
 741-GG2

# 0741-GG2 EGG CRATE ILLUSTRATION

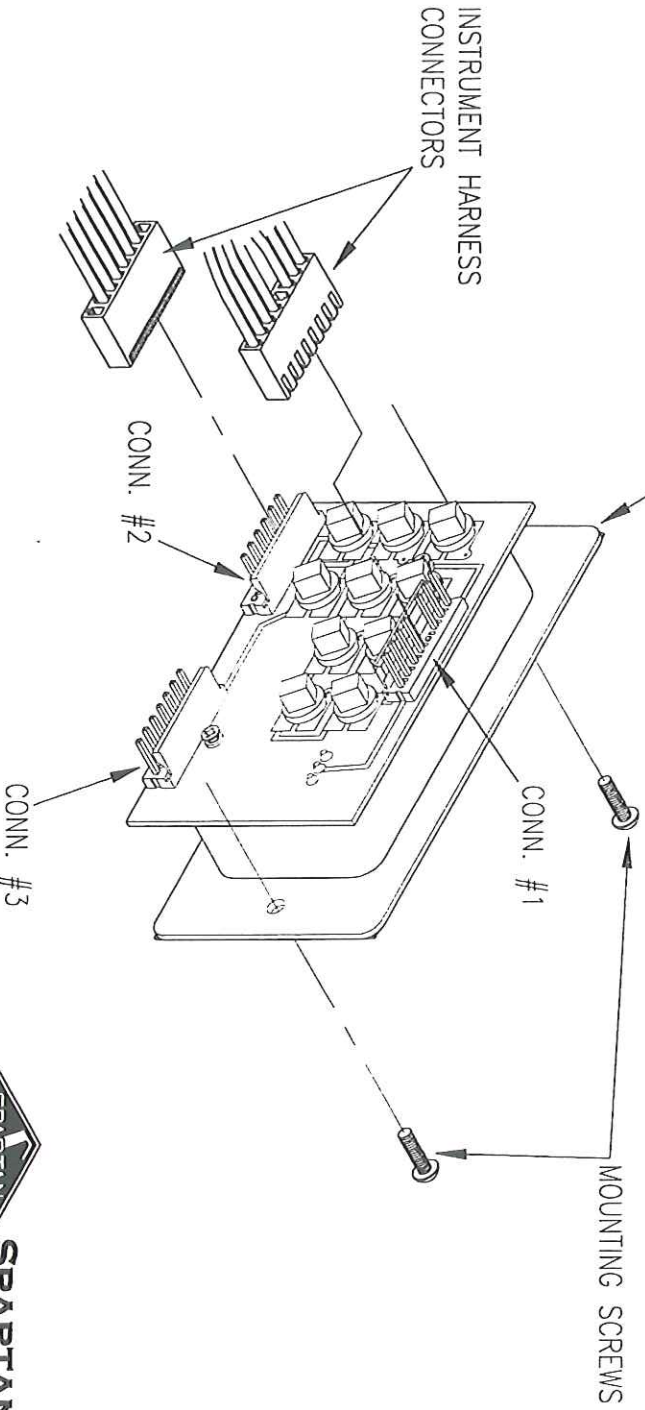
FRONT VIEW



REAR VIEW CONN. #1 (56)



0741-GG2  
EGG CRATE ASM



**SPARTAN MOTORS, INC.**

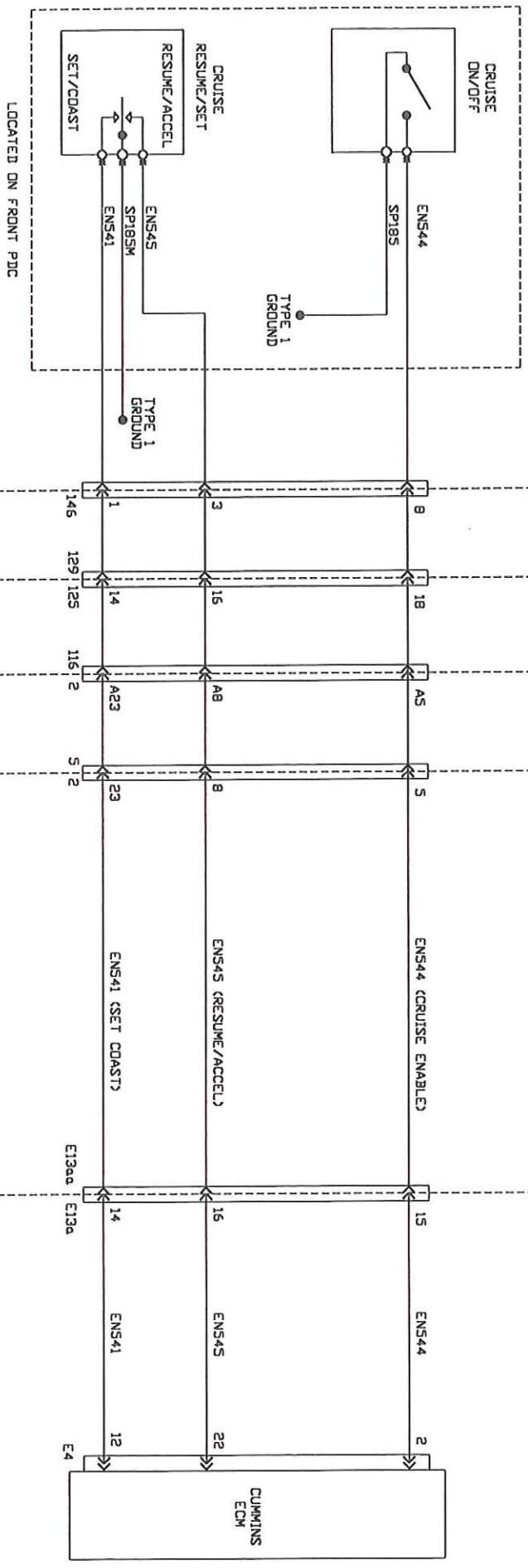
P.O. BOX 440 - CHARLOTTE, MI 48813

DRAWING NUMBER  
1-1

REV. LETTER  
A

CRUISE ON/OFF  
CRUISE DASH/RESUME/SET  
RESUME/ACCEL  
SET/COAST

FRONT PDI 1443-GGS  
FRONT 1440-GGS  
MID 1293-GGS  
REAR 1439-GGS  
ENGINE 1437-GGS



Spartan Motors Inc.

WORLD WIDE VEHICLES AND CHASSIS  
CHARLOTTE MICHIGAN 48813  
ELECTRICAL ENGINEERING DEPT.

DRAWN BY  
DATE  
7-29-98

TITLE  
IRIZAR CRUISE CONTROL

REFERENCE E.C. NO.  
REFERENCE S.O. NO.  
MUST MEET FEDERAL SPEC.

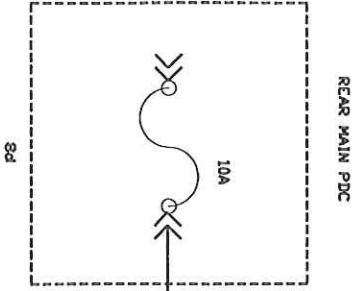
DRAWING NUMBER  
1-1

DRAWING NUMBER

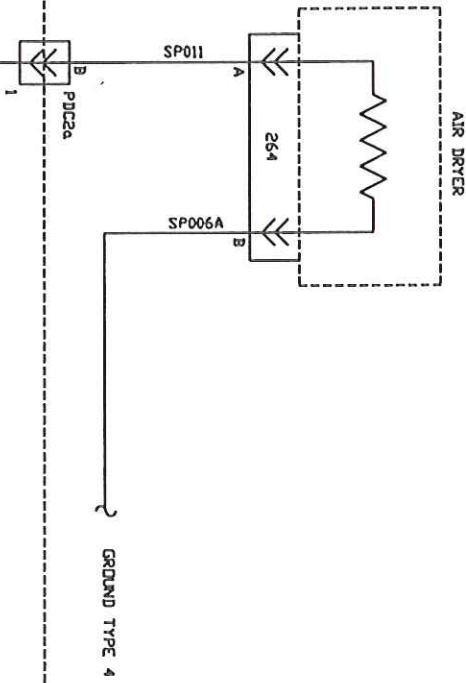
ONE OF THREE

1439-GG5  
REAR CHASSIS

1444-GG5  
REAR PDC



84



# Spartan Motors Inc.

WORLD WIDE VEHICLES AND CHASSIS  
CHARLOTTE MICHIGAN 48813  
ELECTRICAL ENGINEERING DEPT.

DRAWN BY

TITLE

IRIZAR AIR DRYER

DATE

7-29-98

REFERENCE E.C. NO. \_\_\_\_\_  
REFERENCE S.O. NO. \_\_\_\_\_  
MUST MEET FEDERAL SPEC. \_\_\_\_\_

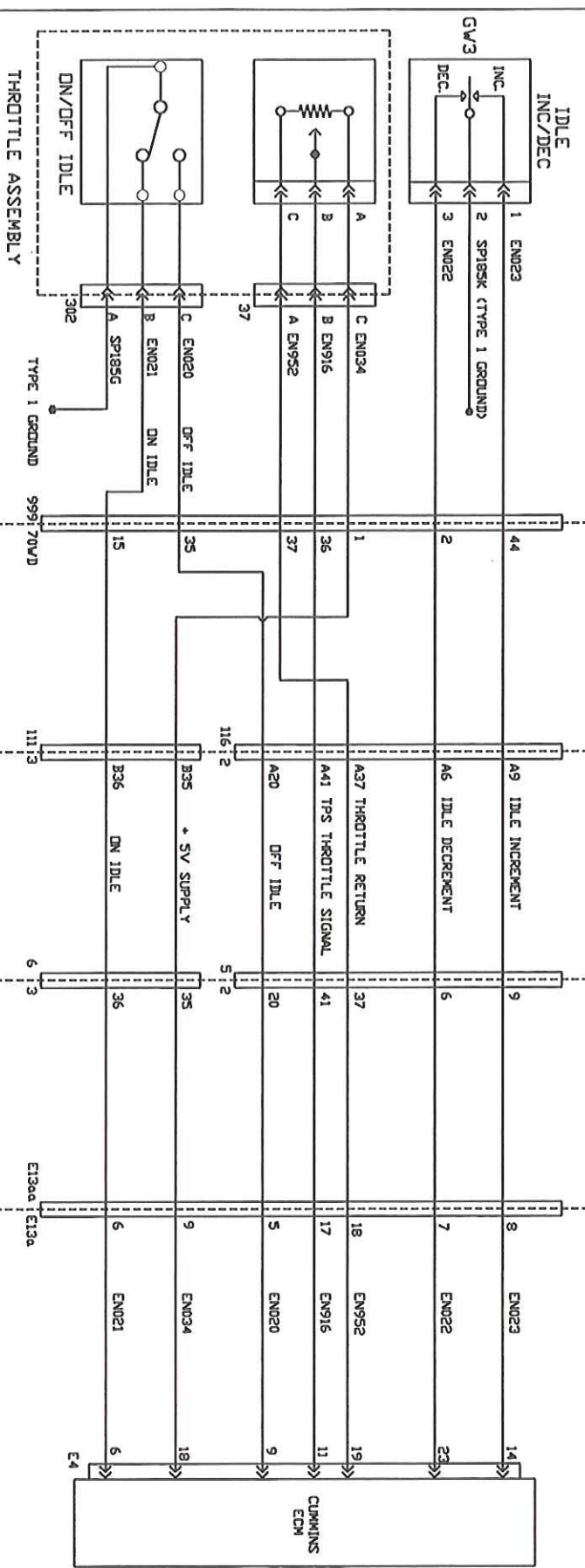
DRAWING NUMBER

1-2

ONE OF THREE

DRAWING NUMBER  
 1-3

INSTRUMENT COLUMN  
 1441-GGS  
 FRONT  
 1440-GGS  
 MID  
 1293-GGS  
 REAR  
 1439-GGS  
 ENGINE  
 1437-GGS



**Spartan Motors Inc.**

WORLD WIDE VEHICLES AND CHASSIS  
 CHARLOTTE MICHIGAN 48813  
 ELECTRICAL ENGINEERING DEPT.

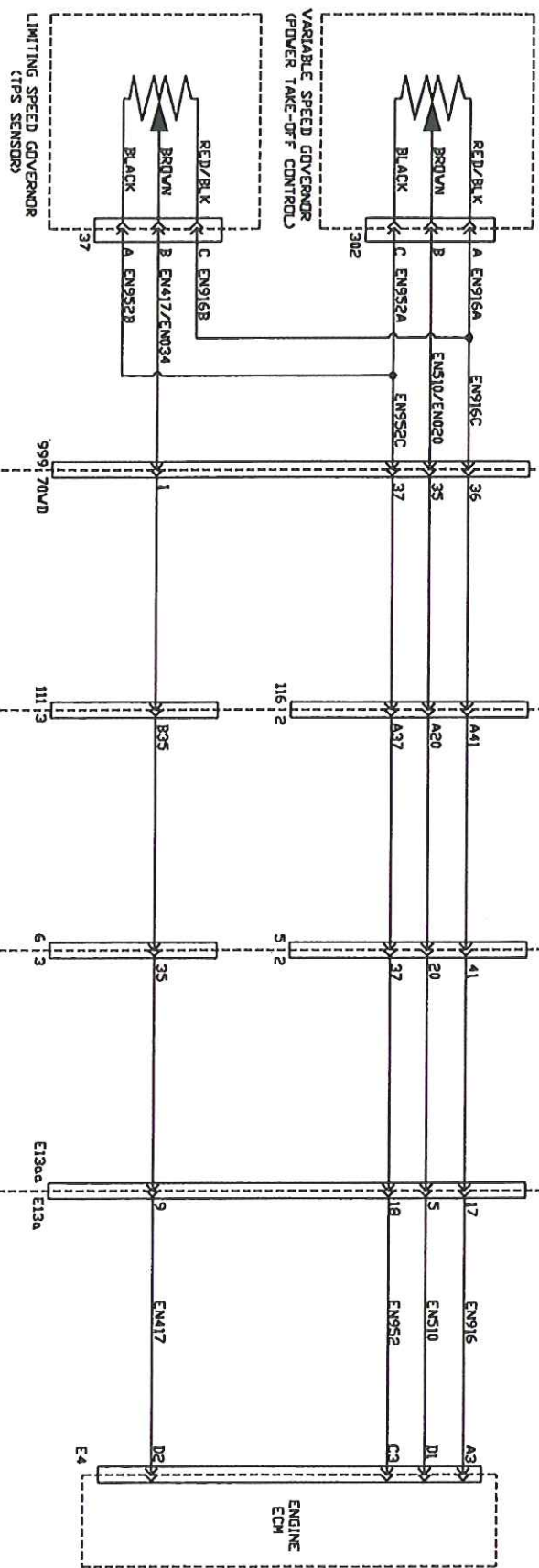
DRAWN BY DATE <b>7-30-98</b>	TITLE <b>IRIZAR THROTTLE ASSEMBLY/IDLE VALIDATION SWITCHES</b>	REFERENCE E.C. NO. REFERENCE S.O. NO. MUST MEET FEDERAL SPEC.	DRAWING NUMBER <b>1-3</b>
------------------------------------	---	---	------------------------------



DRAWING NUMBER  
1-3a

SCALE: 1/8" = 1"

INSTRUMENT COLUMN  
1442-GGS  
FRONT  
1440-GGS  
MID  
1293-GGS  
REAR  
1439-GGS  
ENGINE  
1438-GGS



**Spartan Motors Inc.**

WORLD WIDE VEHICLES AND CHASSIS  
CHARLOTTE MICHIGAN 48813  
ELECTRICAL ENGINEERING DEPT.

TITLE  
IRIZAR THROTTLE CONTROL (60 SERIES)

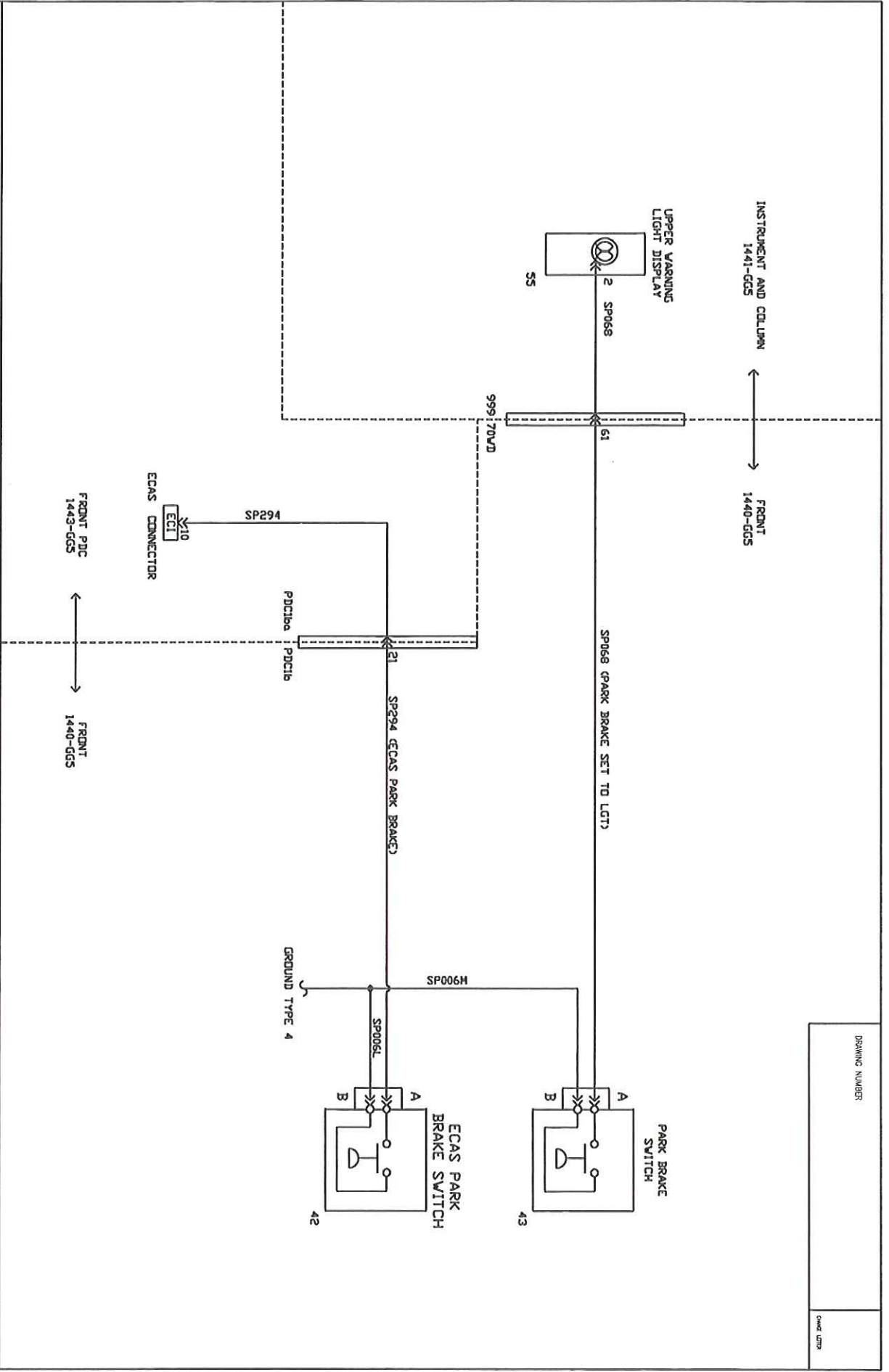
DRAWN BY  
DATE  
11-11-98

REFERENCE E.C. NO. \_\_\_\_\_  
REFERENCE S.O. NO. \_\_\_\_\_  
MUST MEET FEDERAL SPEC. \_\_\_\_\_

DRAWING NUMBER  
1-3a

SCALE: 1/8" = 1"

DRAWING NUMBER  
 CHG# 1278



# Spartan Motors Inc.

WORLD WIDE VEHICLES AND CHASSIS  
 CHARLOTTE MICHIGAN 48813  
 ELECTRICAL ENGINEERING DEPT.

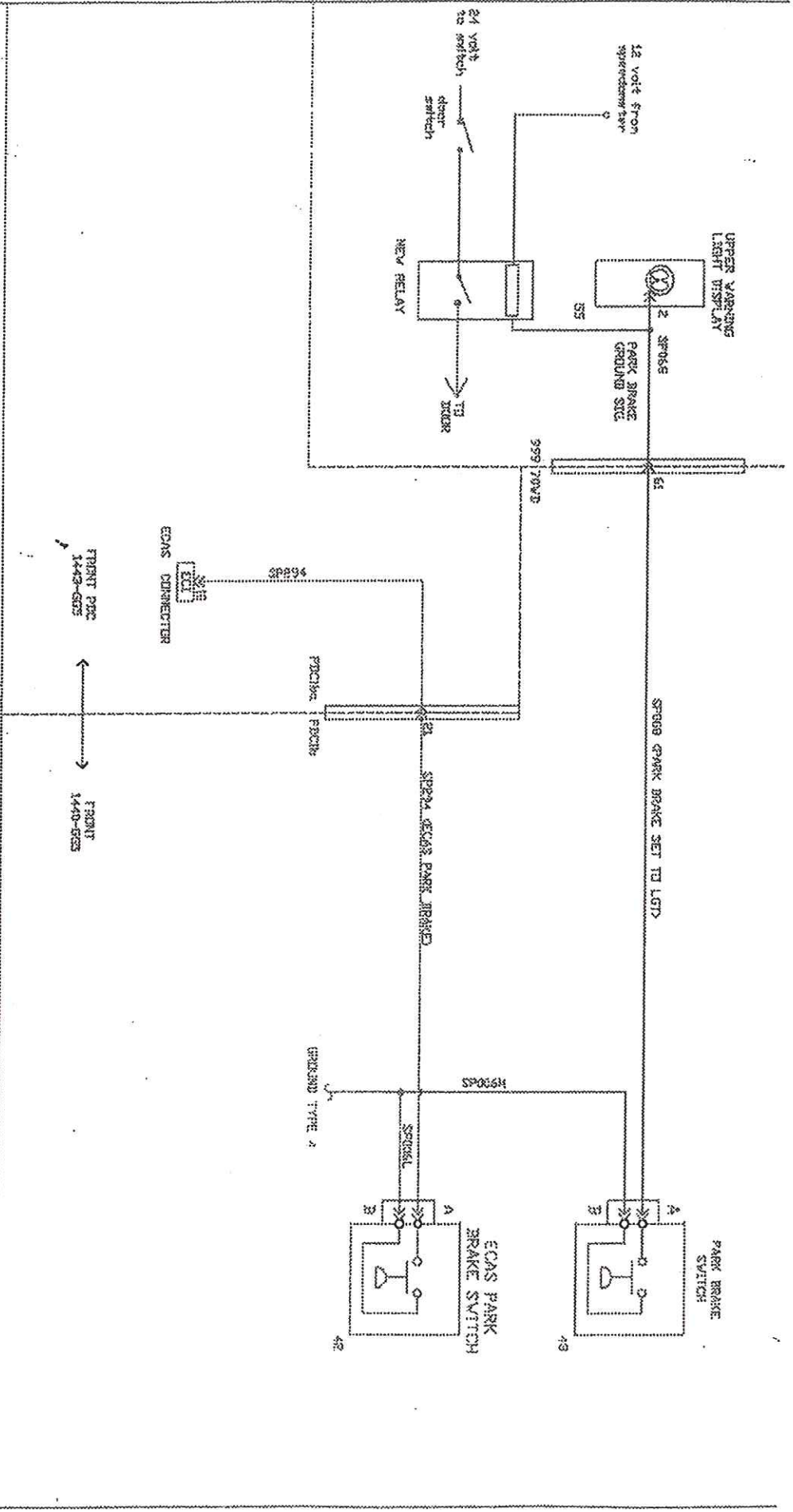
DATE  
 9-9-98

TITLE  
 IRIZAR PARK BRAKE

REFERENCE E.C. NO. \_\_\_\_\_  
 REFERENCE S.O. NO. \_\_\_\_\_  
 MUST MEET FEDERAL SPEC. \_\_\_\_\_

DRAWING NUMBER  
 1-4

For Rear Door Interlock

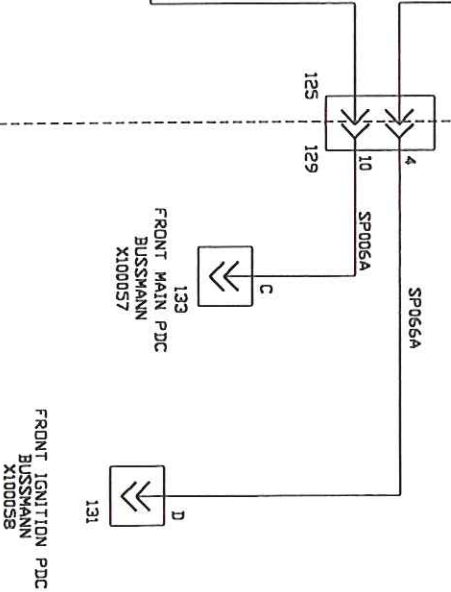
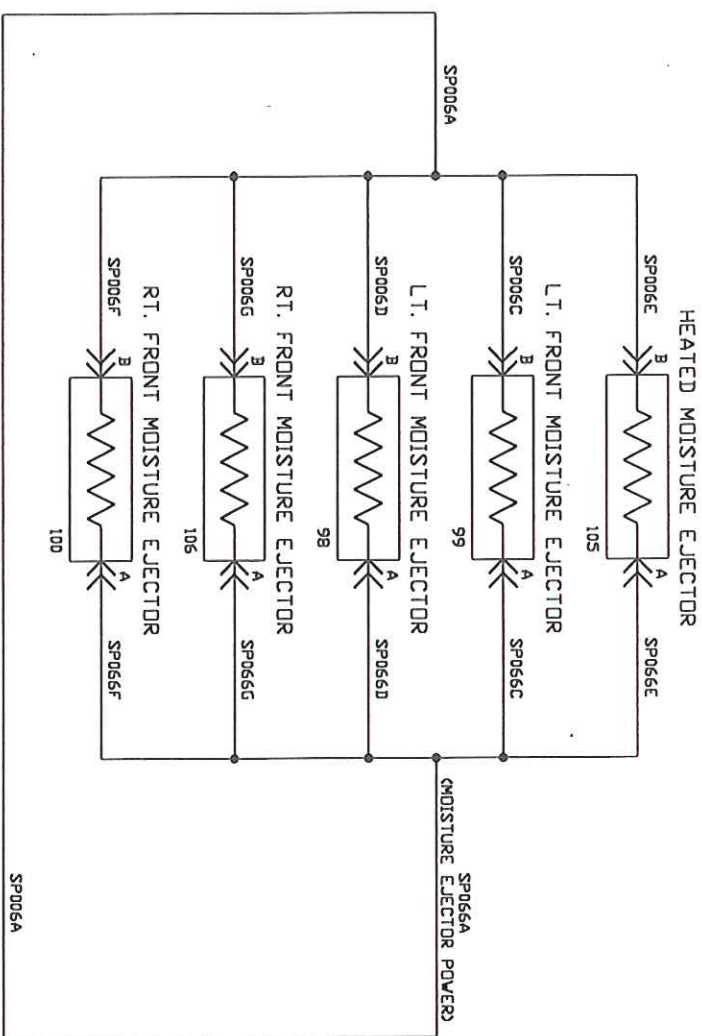


**SPARTAN**  
**Spartan Motors Inc.**  
 WORLD WIDE VEHICLES AND CHASSIS  
 CHARLOTTE MICHIGAN 48813

DATE	DRAWN BY	TITLE
		TRIZAR PARK BRAKE
FRONT 1442-5023	FRONT 1440-5025	REFERENCE EQ. NO.
		REFERENCE EQ. NO.
		DRAWING NUMBER

DRAWING NUMBER  
 1443-GGS

FRONT 1440-GGS ← → FRONT PDC 1443-GGS



**Spartan Motors Inc.**  
 WORLD WIDE VEHICLES AND CHASSIS  
 CHARLOTTE MICHIGAN 48813

ELECTRICAL ENGINEERING DEPT.

DATE 7-31-98

TITLE IRIZAR MOISTURE EJECTOR CIRCUIT

DRAWING NUMBER 1-5

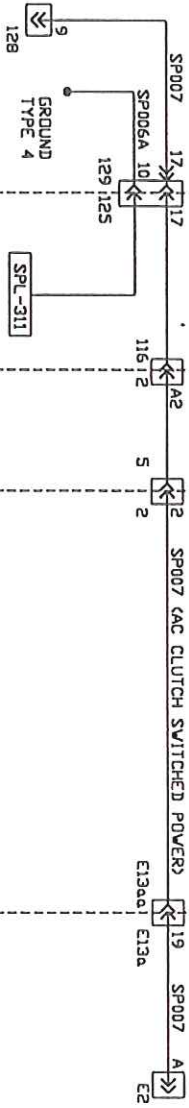


# Spartan Motors Inc.

WORLD WIDE VEHICLES AND CHASSIS  
CHARLOTTE MICHIGAN 48813  
ELECTRICAL ENGINEERING DEPT.

DRAWING NUMBER

Sheet 1 of 2



DRAWN BY

DATE

7-29-98

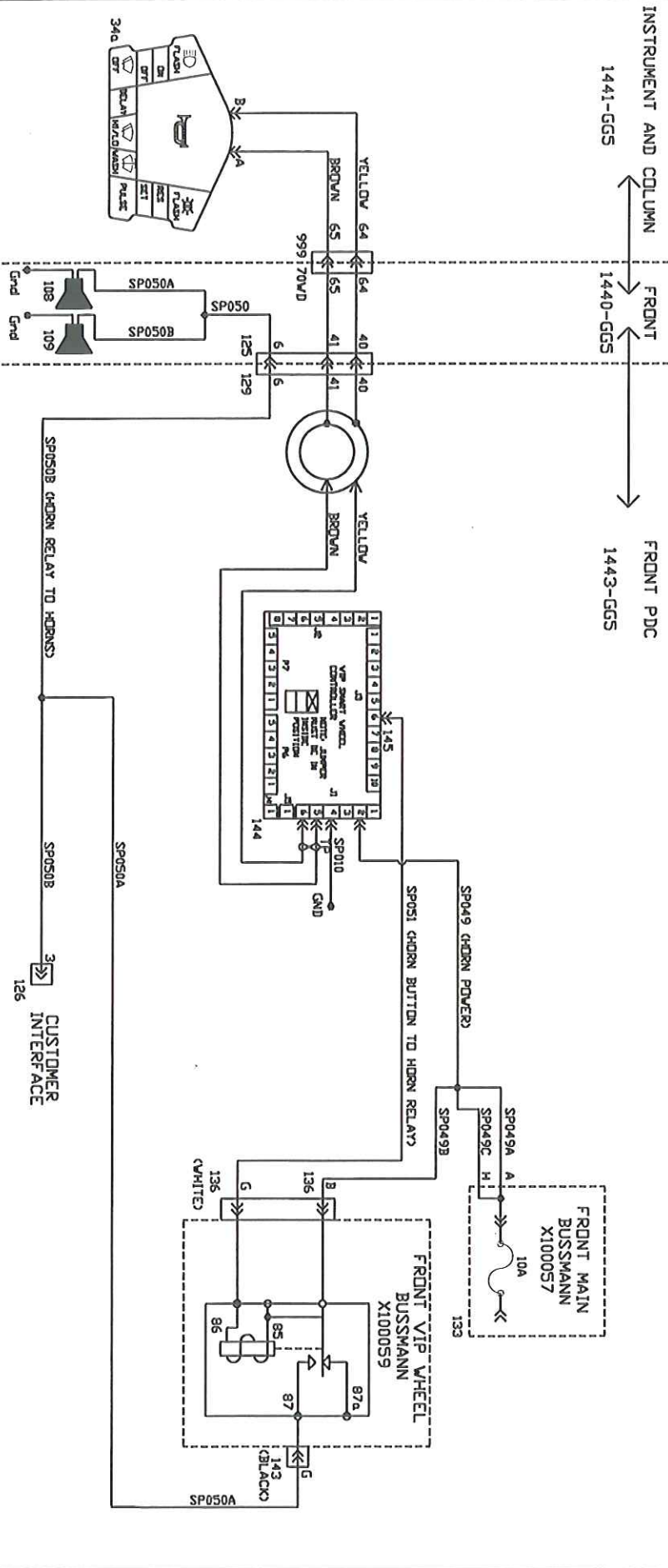
TITLE  
IRIZAR A/C CLUTCH

REFERENCE E.C. NO. \_\_\_\_\_  
REFERENCE S.O. NO. \_\_\_\_\_  
MUST MEET FEDERAL SPEC. \_\_\_\_\_

DRAWING NUMBER

1-6

DRAWING NUMBER  
 1441-GGS  
 FRONT  
 1440-GGS  
 FRONT PDC  
 1443-GGS



**Spartan Motors Inc.**  
 WORLD WIDE VEHICLES AND CHASSIS  
 CHARLOTTE MICHIGAN 48813  
 ELECTRICAL ENGINEERING DEPT.

DRAWN BY  
 DATE  
 8-3-98

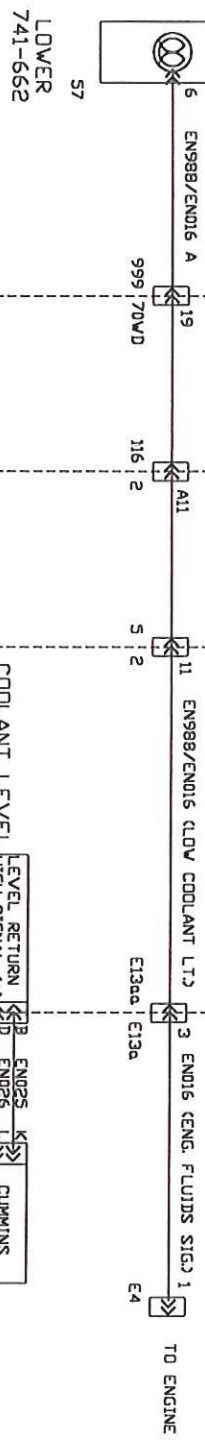
TITLE  
 IRIZAR HORN

REFERENCE E.C. NO.  
 REFERENCE S.O. NO.  
 MUST MEET FEDERAL SPEC.  
 DRAWING NUMBER  
 1-7  
 DWG. LTR.

DRAWING NUMBER  
 1-9

INSTRUMENT AND COLUMN 1441-GGS  
 FRONT 1440-GGS  
 MID 1293-GGS  
 REAR 1439-GGS  
 ENGINE 1437-GGS

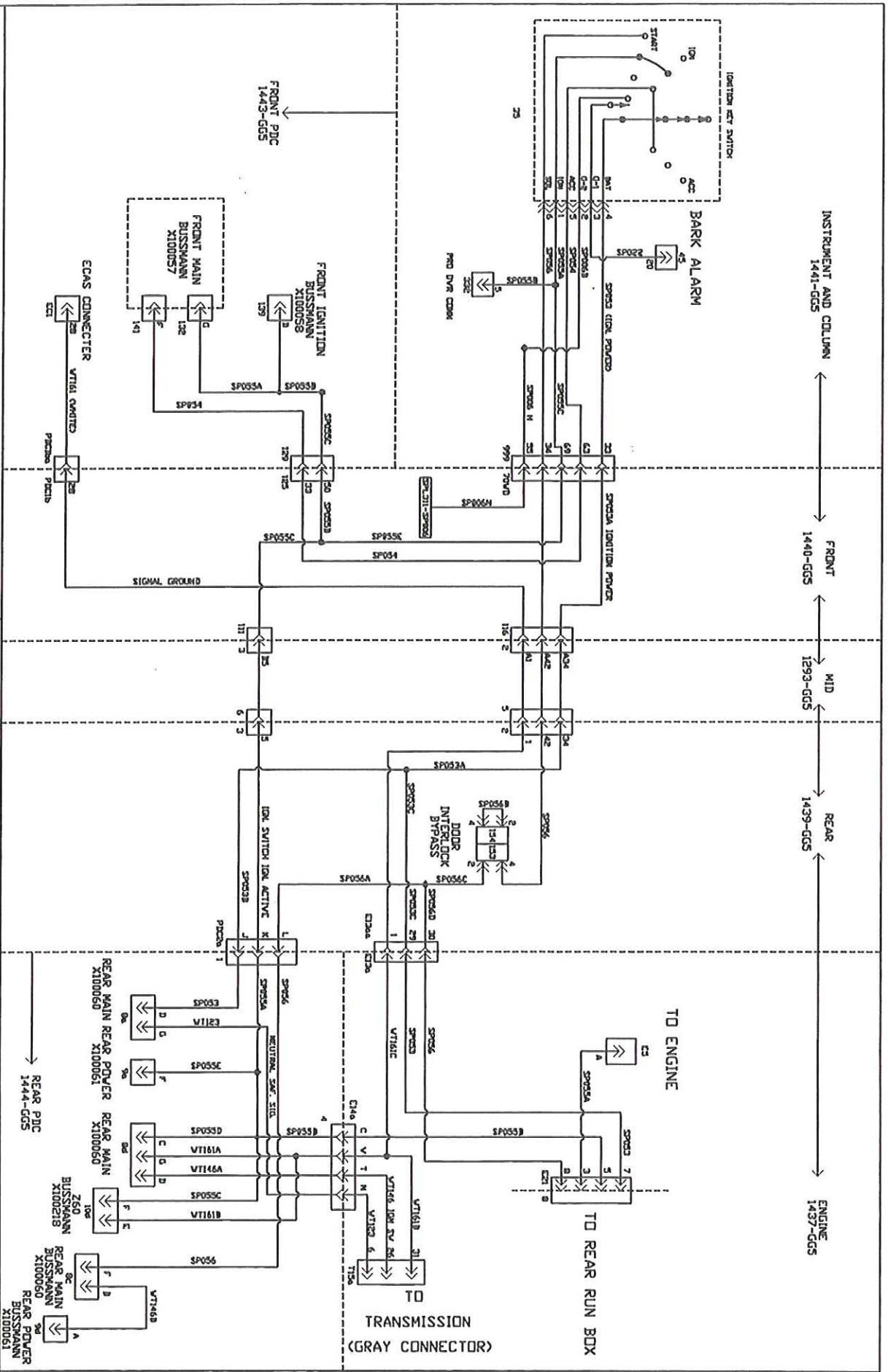
CHK ENG LGT



**Spartan Motors Inc.**

WORLD WIDE VEHICLES AND CHASSIS  
 CHARLOTTE MICHIGAN 48813  
 ELECTRICAL ENGINEERING DEPT.

DATE 8-3-98	DRAWN BY	TITLE TRIZAR LOW COOLANT	DRAWING NUMBER 1-9
REFERENCE E.C. NO. _____		REFERENCE S.O. NO. _____	
MUST MEET FEDERAL SPEC. _____			



**Spartan Motors Inc.**

WORLD WIDE VEHICLES AND CHASSIS  
 CHARLOTTE MICHIGAN 48813  
 ELECTRICAL ENGINEERING DEPT.

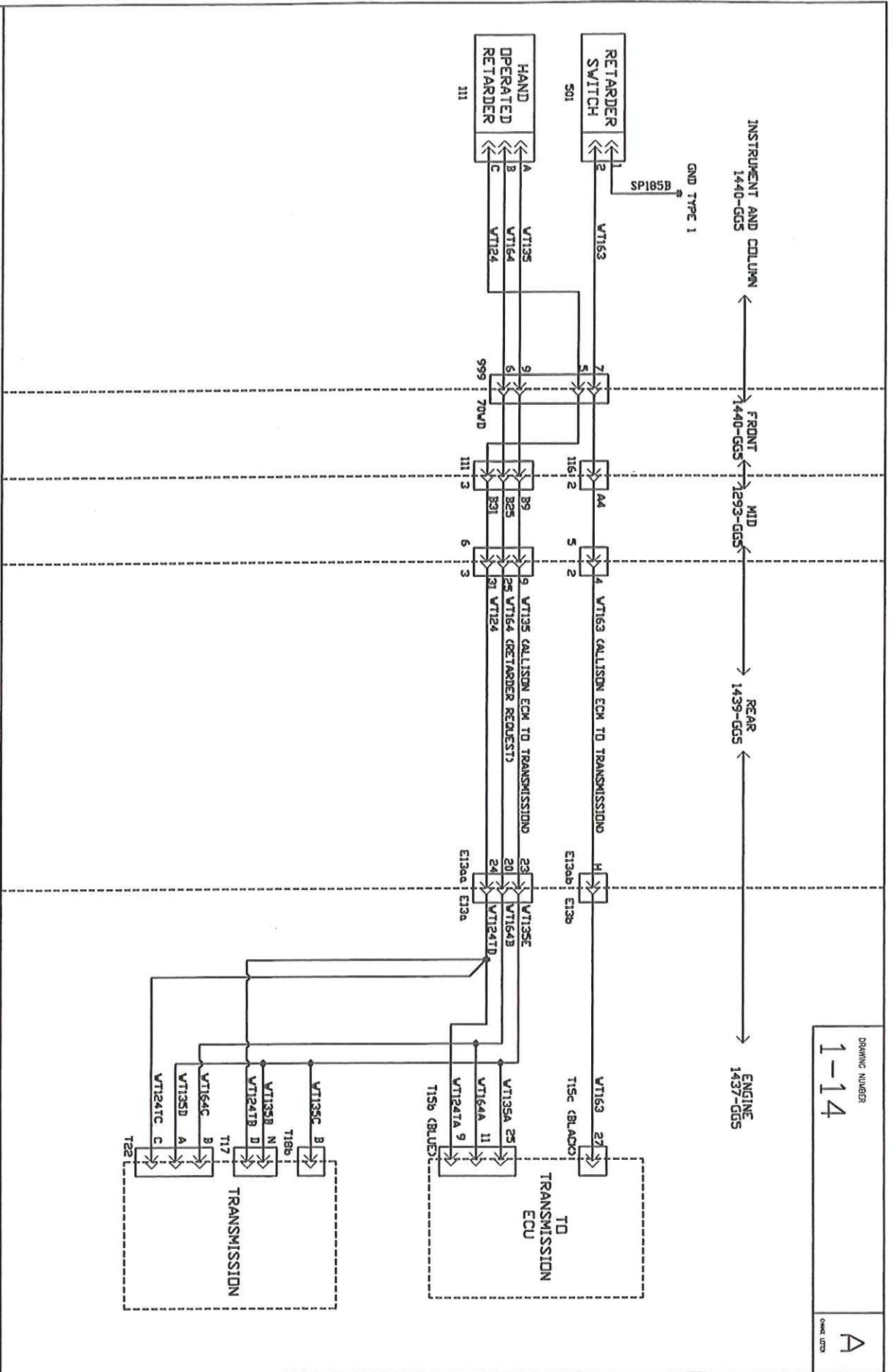
DATE: 8-4-98  
 DRAWN BY: IRIZAR IGNITION

TITLE: IRIZAR IGNITION  
 REFERENCE E.C. NO. \_\_\_\_\_  
 REFERENCE S.O. NO. \_\_\_\_\_  
 MUST MEET FEDERAL SPEC. \_\_\_\_\_

DRAWING NUMBER: 1-11



DRAWING NUMBER  
1-14  
A



**Spartan Motors Inc.**  
WORLD WIDE VEHICLES AND CHASSIS  
CHARLOTTE MICHIGAN 49813  
ELECTRICAL ENGINEERING DEPT.

DRAWN BY  
DATE  
8-5-98

TITLE  
**IRIZAR HAND OPERATED RETARDER**  
REFERENCE E.C. NO. \_\_\_\_\_  
REFERENCE S.O. NO. \_\_\_\_\_  
MUST MEET FEDERAL SPEC. \_\_\_\_\_  
DRAWING NUMBER  
1-14  
A

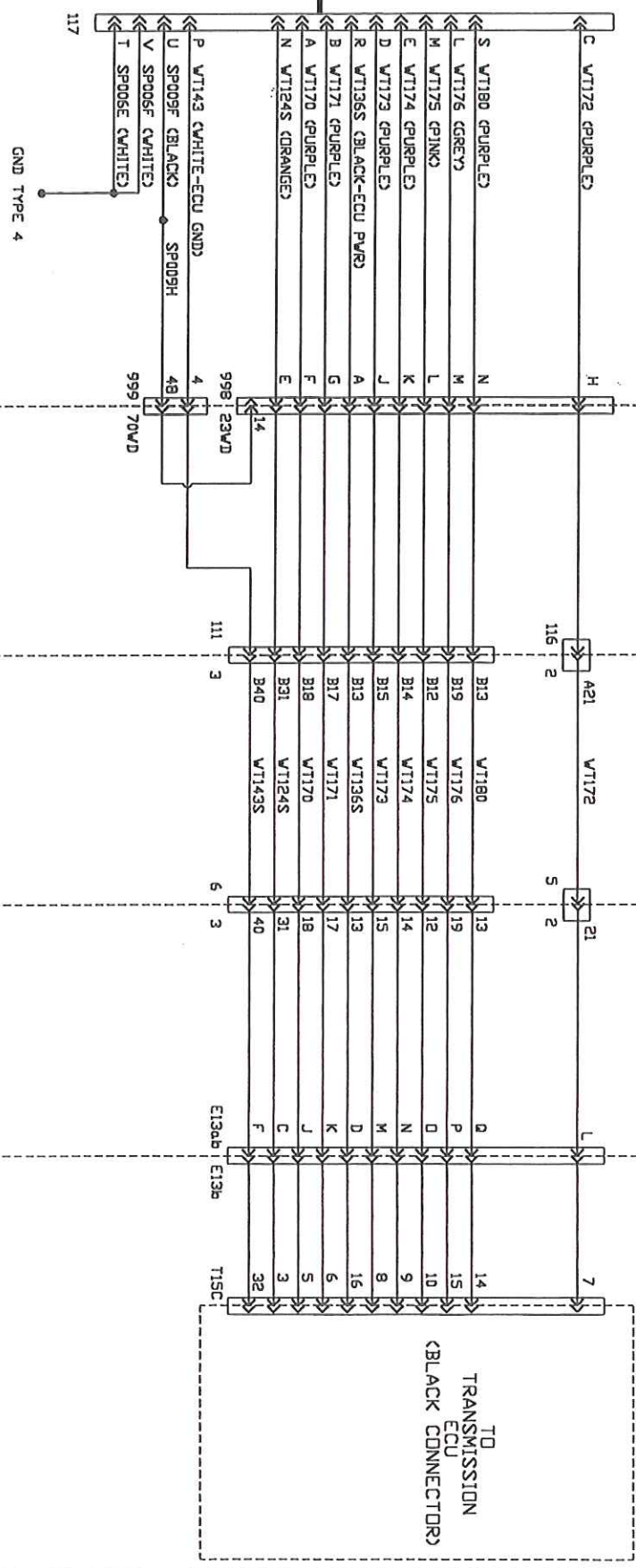
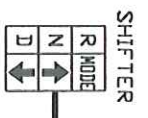
INSTRUMENT COLUMN  
1441-GGS

FRONT  
1440-GGS

MID  
1293-GGS

REAR  
1439-GGS

ENGINE  
1437-GGS



Spartan Motors Inc.

WORLD WIDE VEHICLES AND CHASSIS  
CHARLOTTE  
ELECTRICAL ENGINEERING DEPT.  
MICHIGAN 48313

DATE: 9-8-98

TITLE: IRIZAR TRANSMISSION KEYPAD CONTROLLER

REFERENCE E.C. NO. \_\_\_\_\_  
REFERENCE S.O. NO. \_\_\_\_\_  
MUST MEET FEDERAL SPEC. \_\_\_\_\_

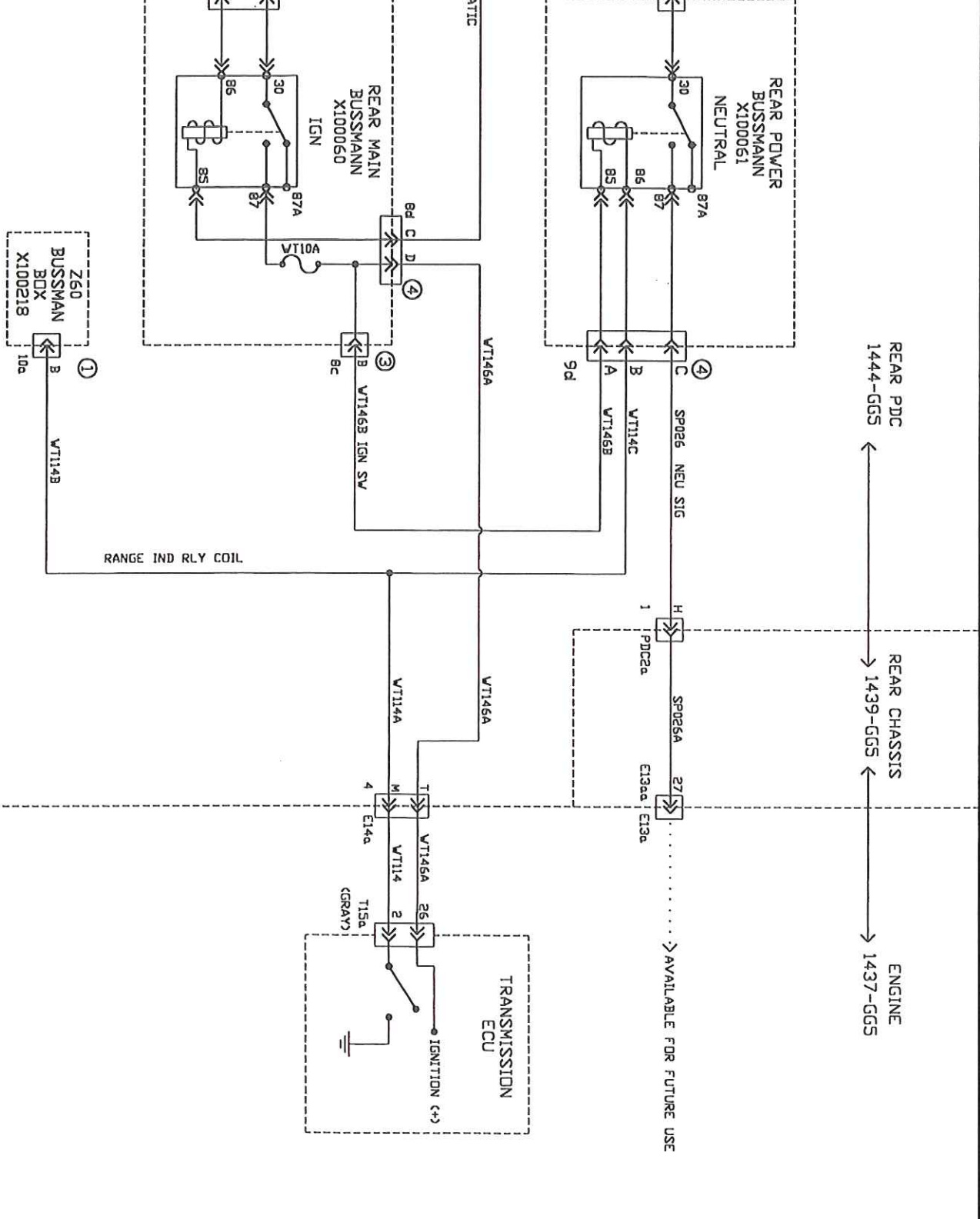
DRAWING NUMBER: 1-15



# Spartan Motors Inc.

WORLD WIDE VEHICLES AND CHASSIS  
CHARLOTTE, MICHIGAN 48813  
ELECTRICAL ENGINEERING DEPT.

PROPERTY OF  
CUSTOM BUILT SPECIALTY VEHICLE DEPT.  
SPARTAN MOTORS, INC.  
ENGINEERING USE ONLY DO NOT COPY  
DATE ISSUED / /



DRAWN BY

SCHEMATIC

IRIZAR NEUTRAL SIGNAL CIRCUIT

DATE

8-7-98

REFERENCE E.C. NO. \_\_\_\_\_  
REFERENCE S.O. NO. \_\_\_\_\_  
MUST MEET FEDERAL SPEC. \_\_\_\_\_

DRAWING NUMBER

1-16



# Spartan Motors Inc.

WORLD WIDE VEHICLES AND CHASSIS  
 CHARLOTTE MICHIGAN 48813  
 ELECTRICAL ENGINEERING DEPT.

DRAWN BY

SCHEMATIC

IRIZAR REAR RUN BOX

DATE

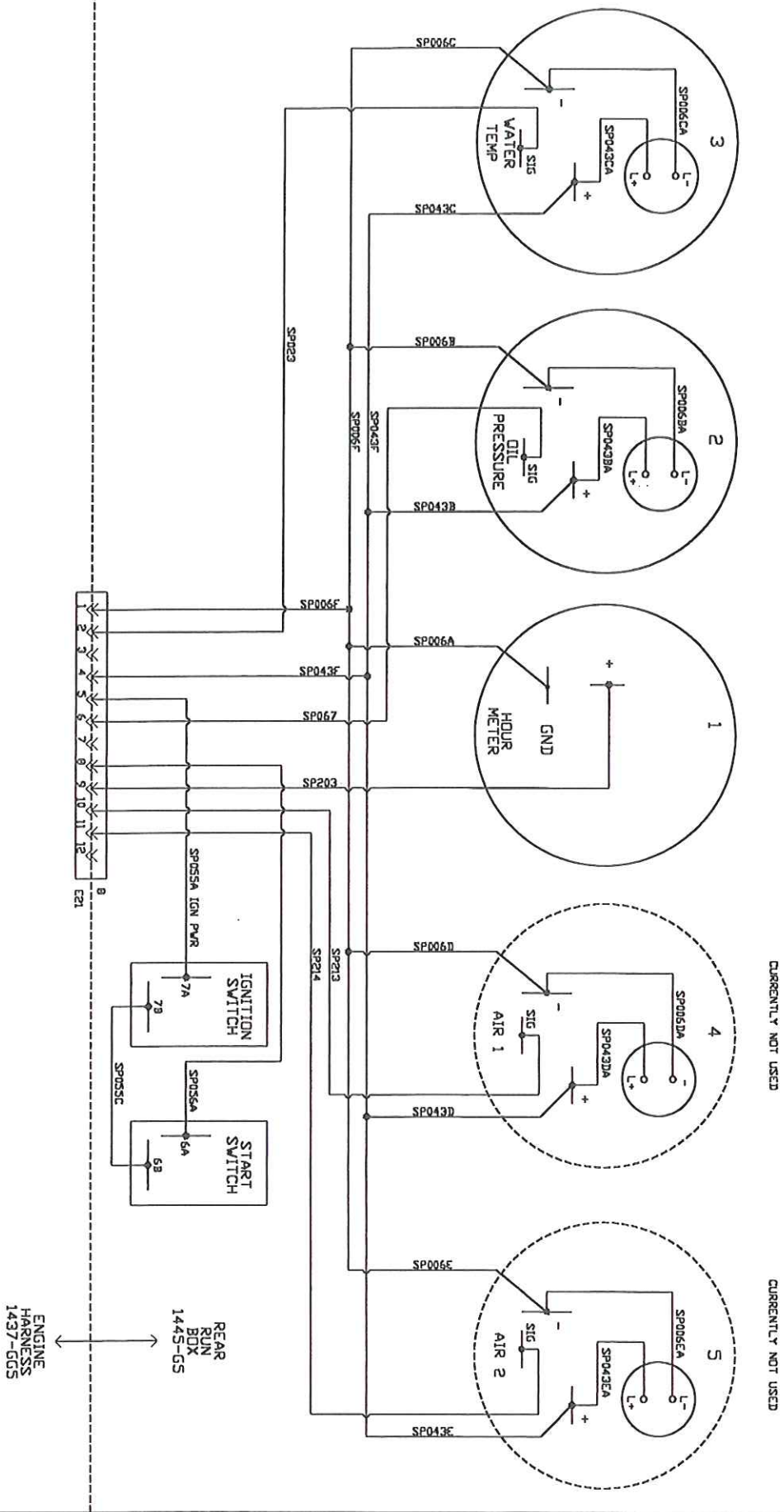
8-8-98

REFERENCE E.C. NO. \_\_\_\_\_  
 REFERENCE S.O. NO. \_\_\_\_\_  
 MUST MEET FEDERAL SPEC. \_\_\_\_\_

DRAWING NUMBER

1-17

A  
Cont. LHM



CURRENTLY NOT USED

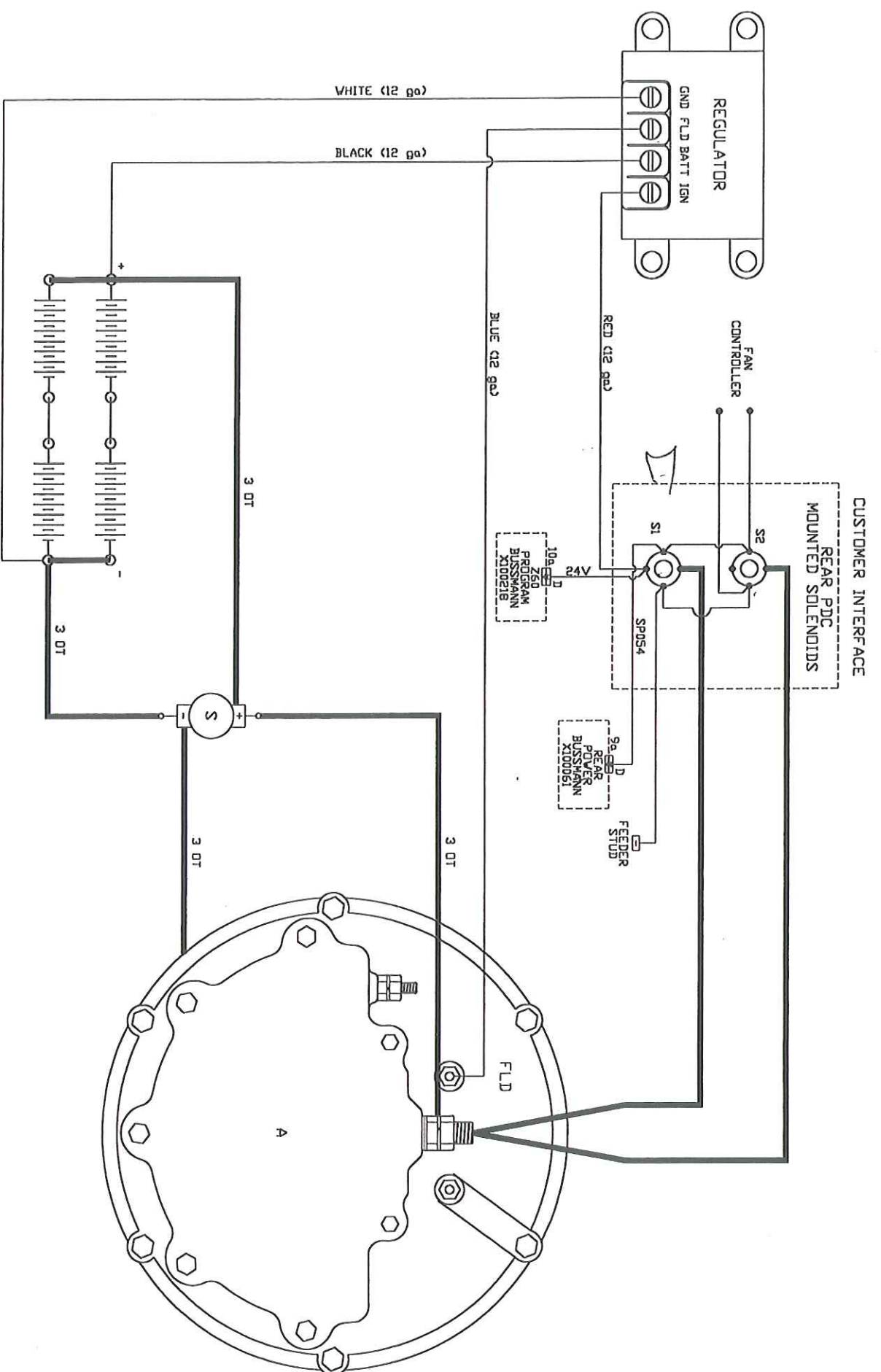
CURRENTLY NOT USED

REAR RUN BOX 1445-G5  
 ENGINE HARNESS 1437-665



# Spartan Motors Inc.

WORLD WIDE VEHICLES AND CHASSIS  
CHARLOTTE MICHIGAN 48813  
ELECTRICAL ENGINEERING DEPT.



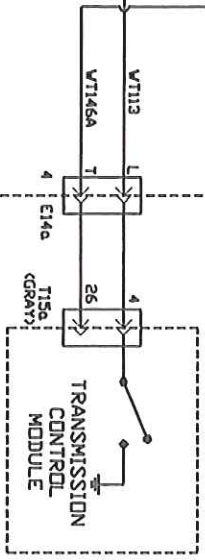
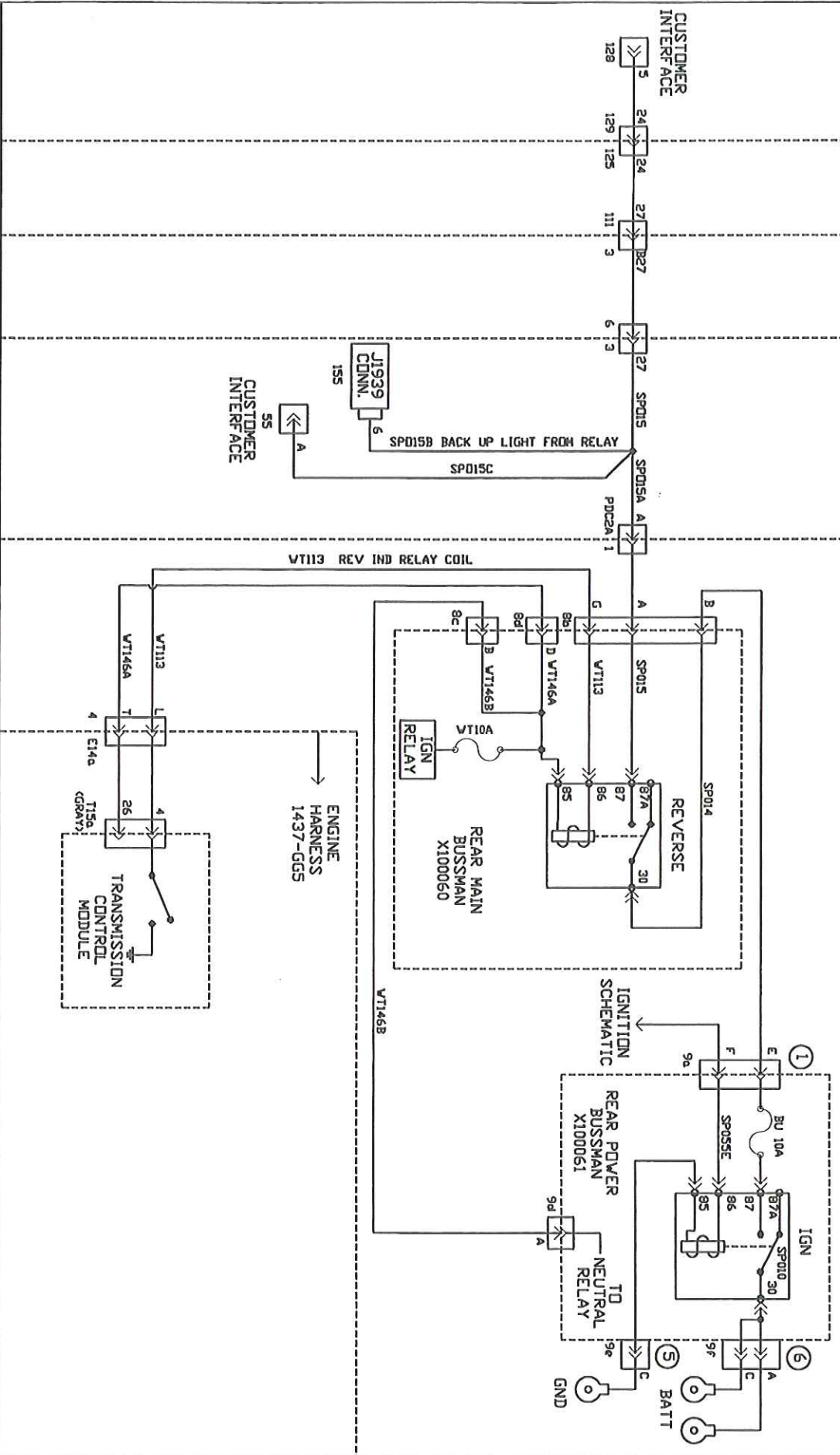
DRAWN BY \_\_\_\_\_  
DATE 8-10-98

TITLE IRIZAR ALTERNATOR/CHARGING CIRCUIT  
REFERENCE E.C. NO. \_\_\_\_\_  
REFERENCE S.O. NO. \_\_\_\_\_  
MUST MEET FEDERAL SPEC. \_\_\_\_\_  
DRAWING NUMBER 1-18

FRONT PDC CHASSIS 1443-GGS  
 FRONT CHASSIS 1440-GGS  
 MID CHASSIS 1293-GGS  
 REAR CHASSIS 1439-GGS  
 REAR PDC CHASSIS 1444-GGS

CUSTOMER INTERFACE

CUSTOMER INTERFACE



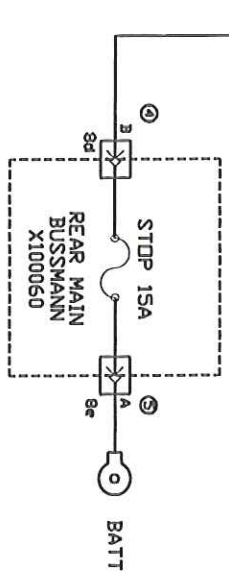
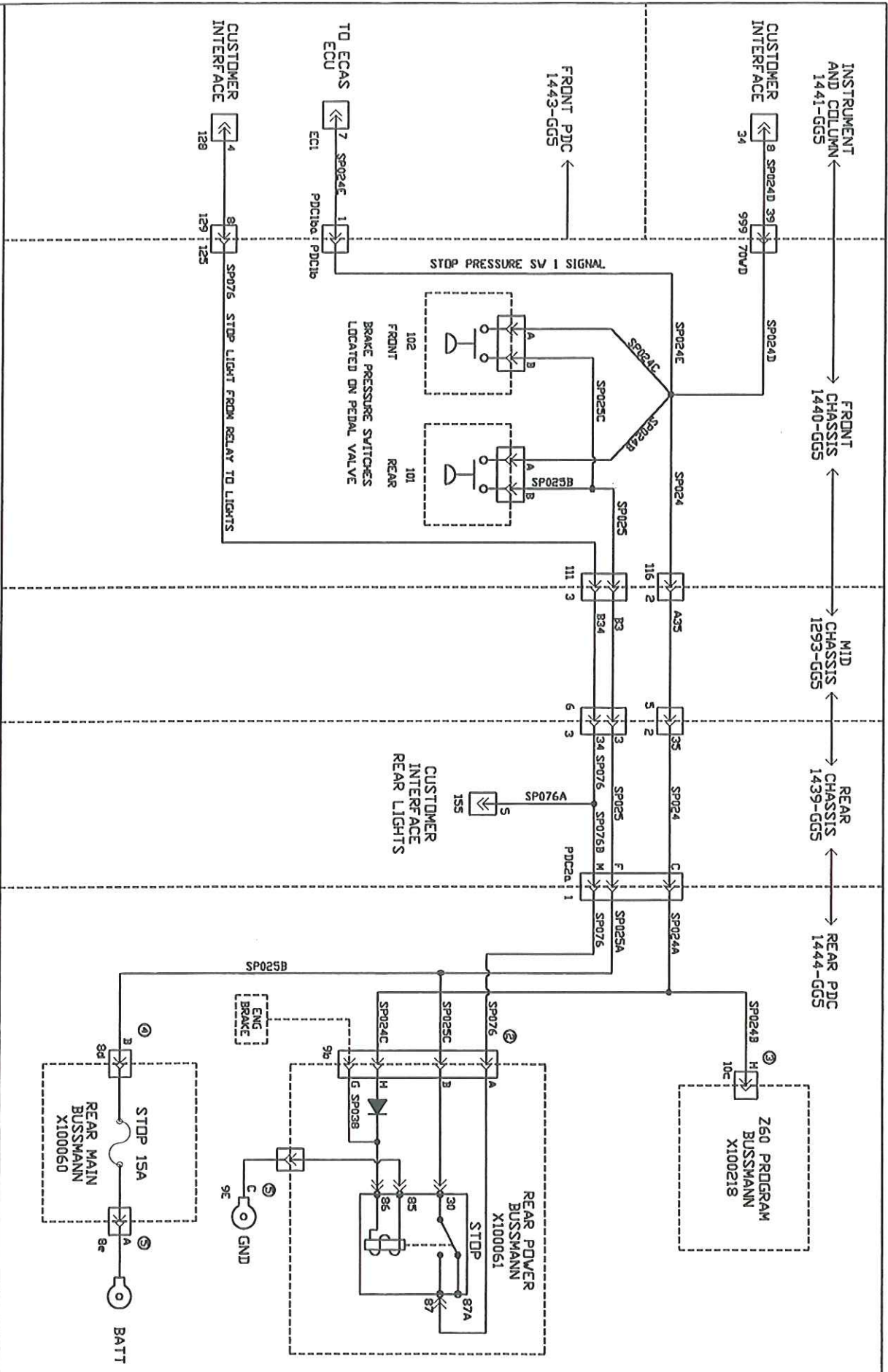
**Spartan Motors Inc.**  
 WORLD WIDE VEHICLES AND CHASSIS  
 CHARLOTTE MICHIGAN 48913  
 ELECTRICAL ENGINEERING DEPT.

DATE	9-9-98	SCHEMATIC	IRIZAR BACK UP LIGHTS	DRAWING NUMBER	1-19
DRAWN BY		REFERENCE E.C. NO.		REFERENCE S.O. NO.	
		MUST MEET FEDERAL SPEC.			



# Spartan Motors Inc.

WORLD WIDE VEHICLES AND CHASSIS  
CHARLOTTE MICHIGAN 48613  
ELECTRICAL ENGINEERING DEPT.



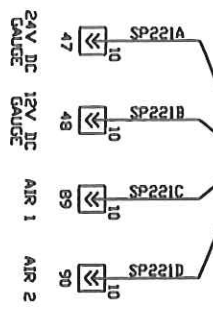
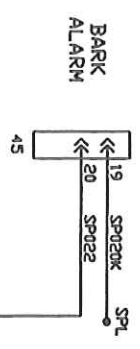
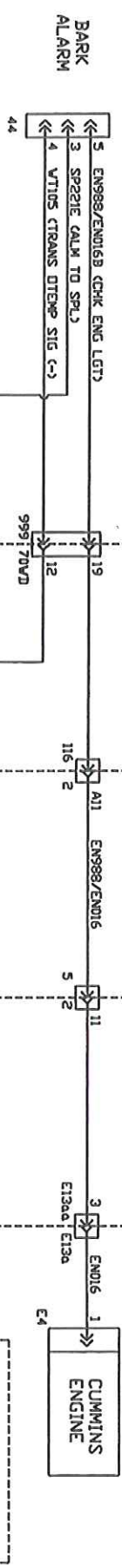
DATE  
9-16-98

REFERENCE E.C. NO. \_\_\_\_\_  
REFERENCE S.O. NO. \_\_\_\_\_  
MUST MEET FEDERAL SPEC. \_\_\_\_\_

DRAWING NUMBER  
1-20

A

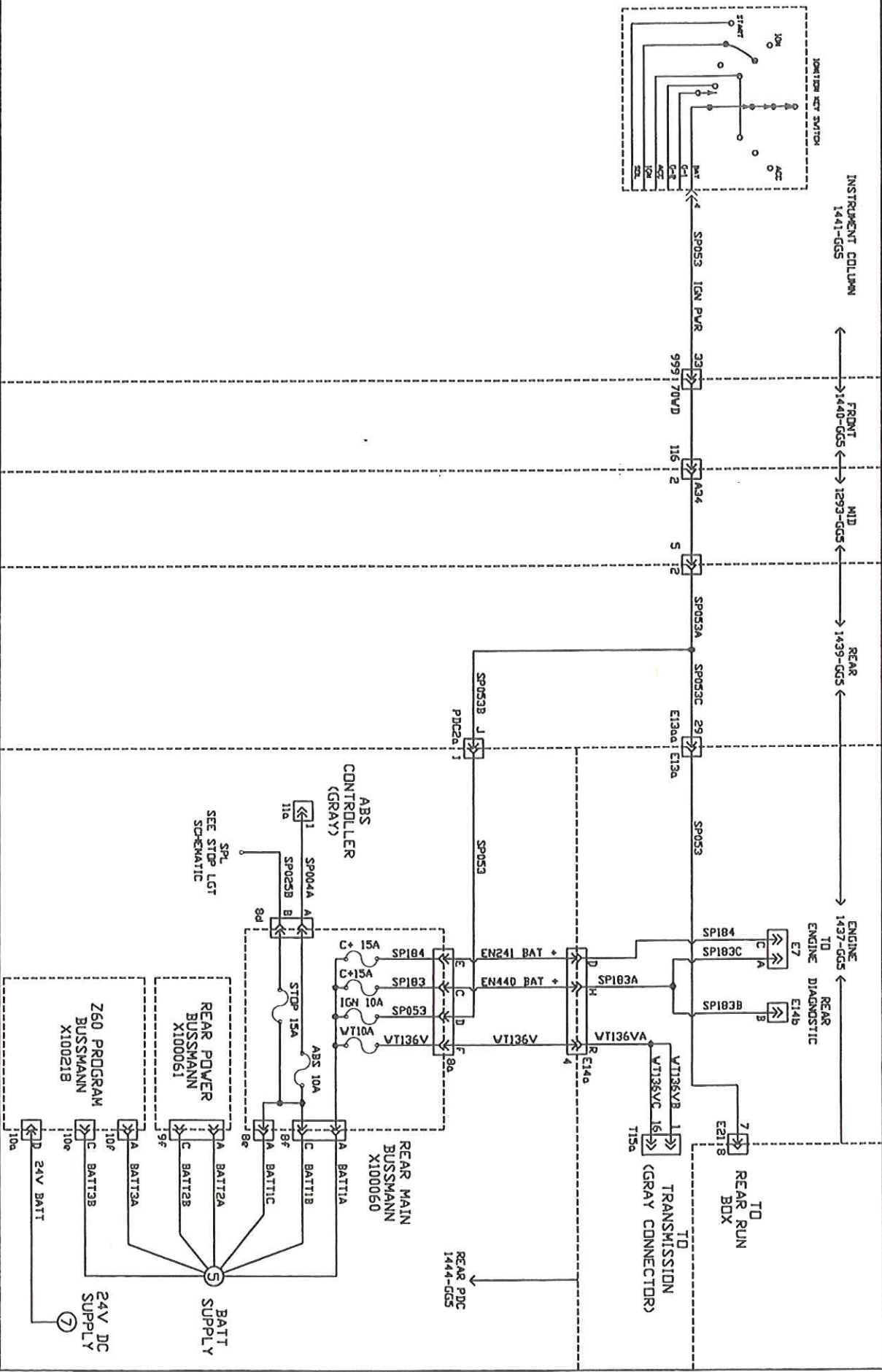
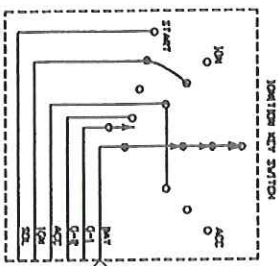
INSTRUMENT COLUMN 1441-GGS → FRONT 1440-GGS ← MID 1293-GGS ← REAR 1439-GGS → ENGINE 1437-GGS



**Spartan Motors Inc.**  
WORLD WIDE VEHICLES AND CHASSIS  
CHARLOTTE  
ELECTRICAL ENGINEERING DEPT.  
MICHIGAN 48813

DRAWN BY	TITLE	DRAWING NUMBER
IRIZAR BR	IRIZAR BARK ALARM	1-21
DATE	REFERENCE E.C. NO.	
9-9-98	REFERENCE S.O. NO.	
	MUST MEET FEDERAL SPEC.	





INSTRUMENT COLUMN  
1441-GG5

FRONT  
1440-GG5

MID  
1293-GG5

REAR  
1439-GG5

ENGINE TO REAR DIAGNOSTIC  
E7  
E14b

REAR RUN  
E218

REAR PDC  
1444-GG5

# Spartan Motors Inc.

WORLD WIDE VEHICLES AND CHASSIS  
MICHIGAN 48813  
CHARLOTTE  
ELECTRICAL ENGINEERING DEPT.



DRAWN BY

TITLE  
IRIZAR TYPE 1 POWER (CLEAN POWER)

DRAWING NUMBER

DATE

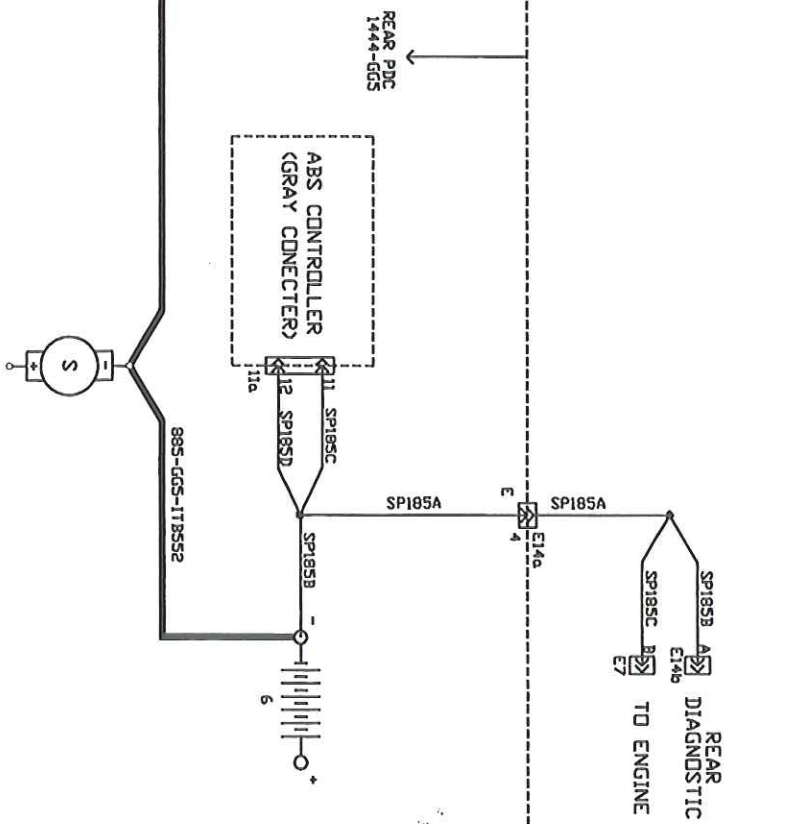
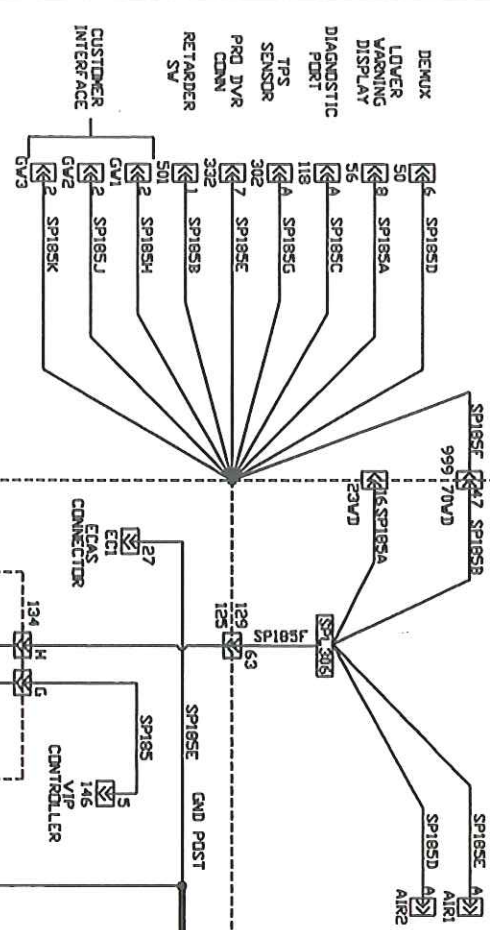
8-11-98

REFERENCE E.C. NO. \_\_\_\_\_  
REFERENCE S.O. NO. \_\_\_\_\_  
MUST MEET FEDERAL SPEC. \_\_\_\_\_

1-22

DATE LISTED

INSTRUMENT COLUMN 1441-GGS → FRONT 1440-GGS → ENGINE 1437-GGS



FRONT PDC 1443-GGS

REAR PDC 1444-GGS



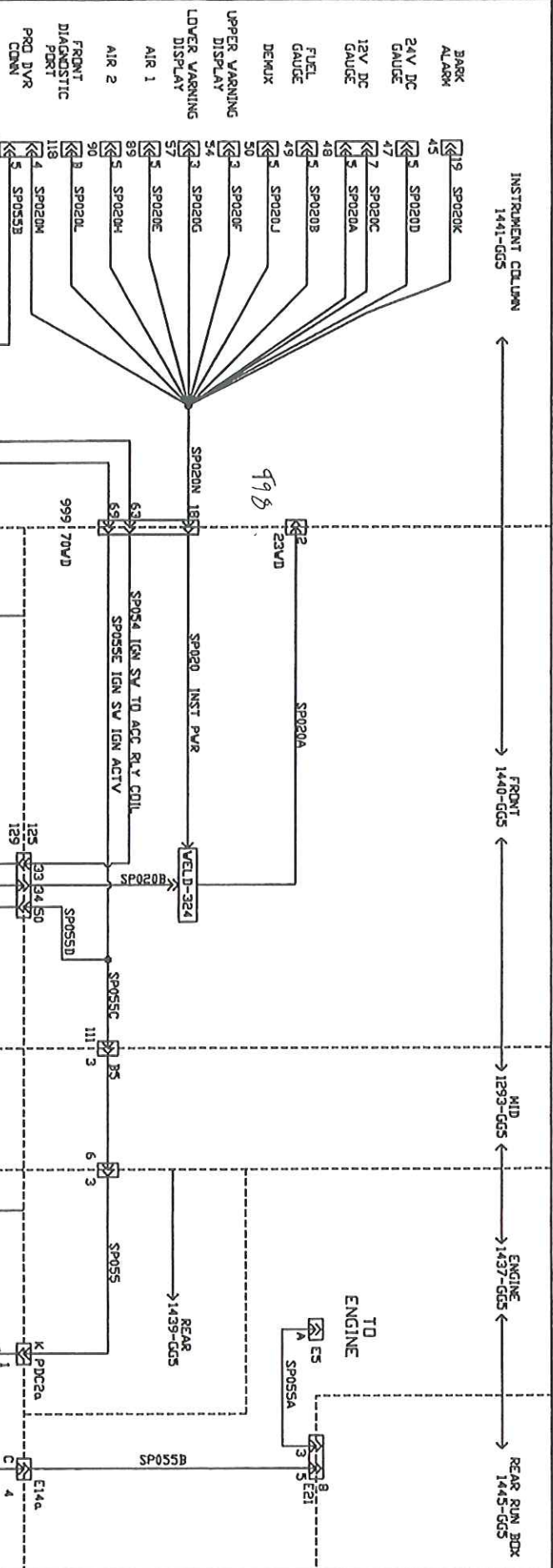
**Spartan Motors Inc.**

WORLD WIDE VEHICLES AND CHASSIS  
 CHARLOTTE MICHIGAN 48113  
 ELECTRICAL ENGINEERING DEPT.

DRAWN BY  
 DATE 9-9-98

TITLE  
 IRIZAR TYPE 1 GROUND (CLEAN)  
 REFERENCE E.C. NO. \_\_\_\_\_  
 REFERENCE S.O. NO. \_\_\_\_\_  
 MUST MEET FEDERAL SPEC. \_\_\_\_\_

DRAWING NUMBER  
 1-23



# Spartan Motors Inc.

WORLD WIDE VEHICLES AND CHASSIS  
 CHARLOTTE MICHIGAN 48813  
 ELECTRICAL ENGINEERING DEPT.

DATE 8-12-98

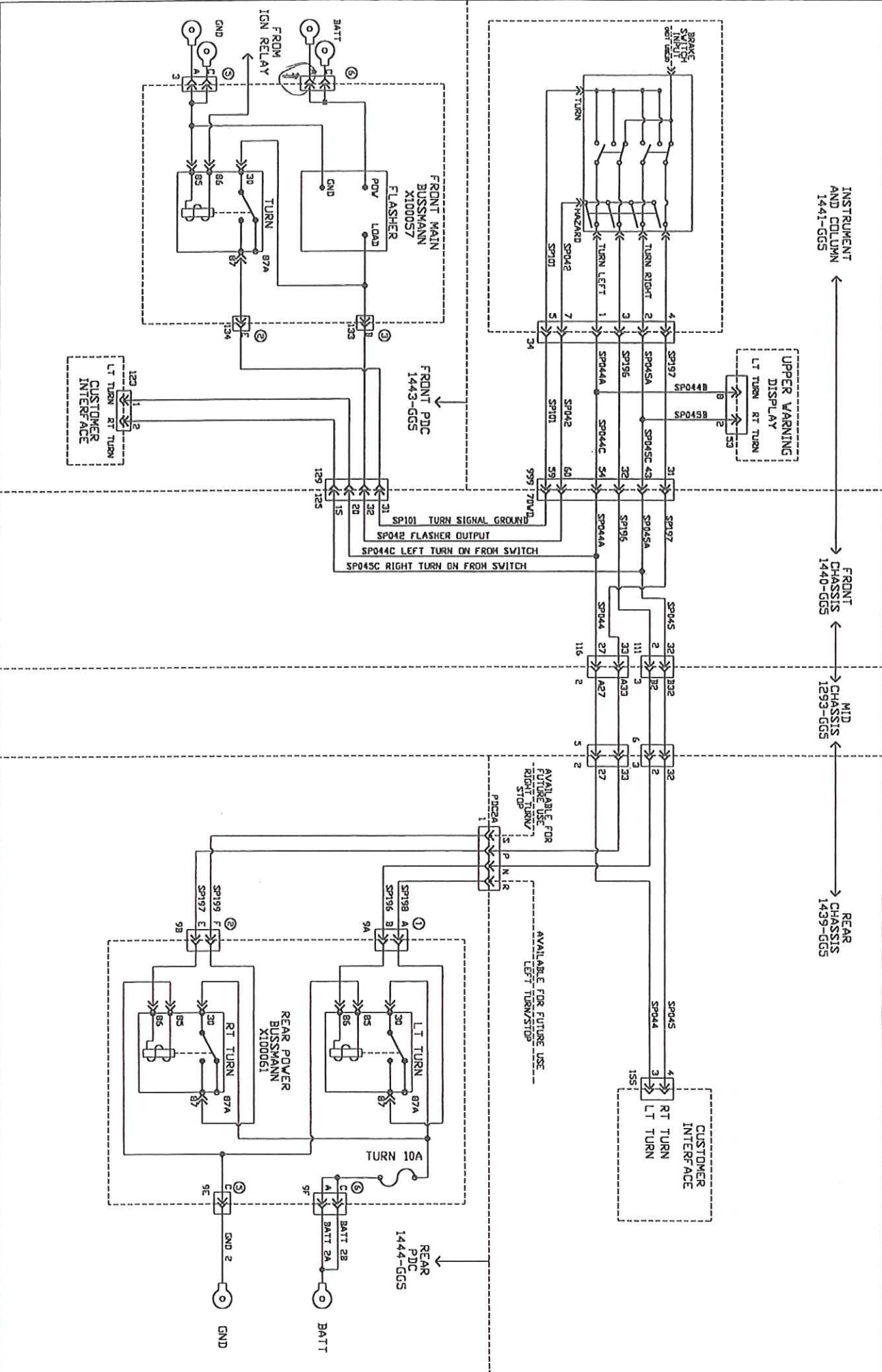
TITLE IRIZAR SWITCHED POWER

DRAWING NUMBER 1-24



# Spartan Motors Inc.

WORLD WIDE VEHICLES AND CHASSIS  
 CHARLOTTE MICHIGAN 48913  
 ELECTRICAL ENGINEERING DEPT.



DOWN BY

SCHEMATIC

IRIZAR TURN SIGNAL AND HAZARD

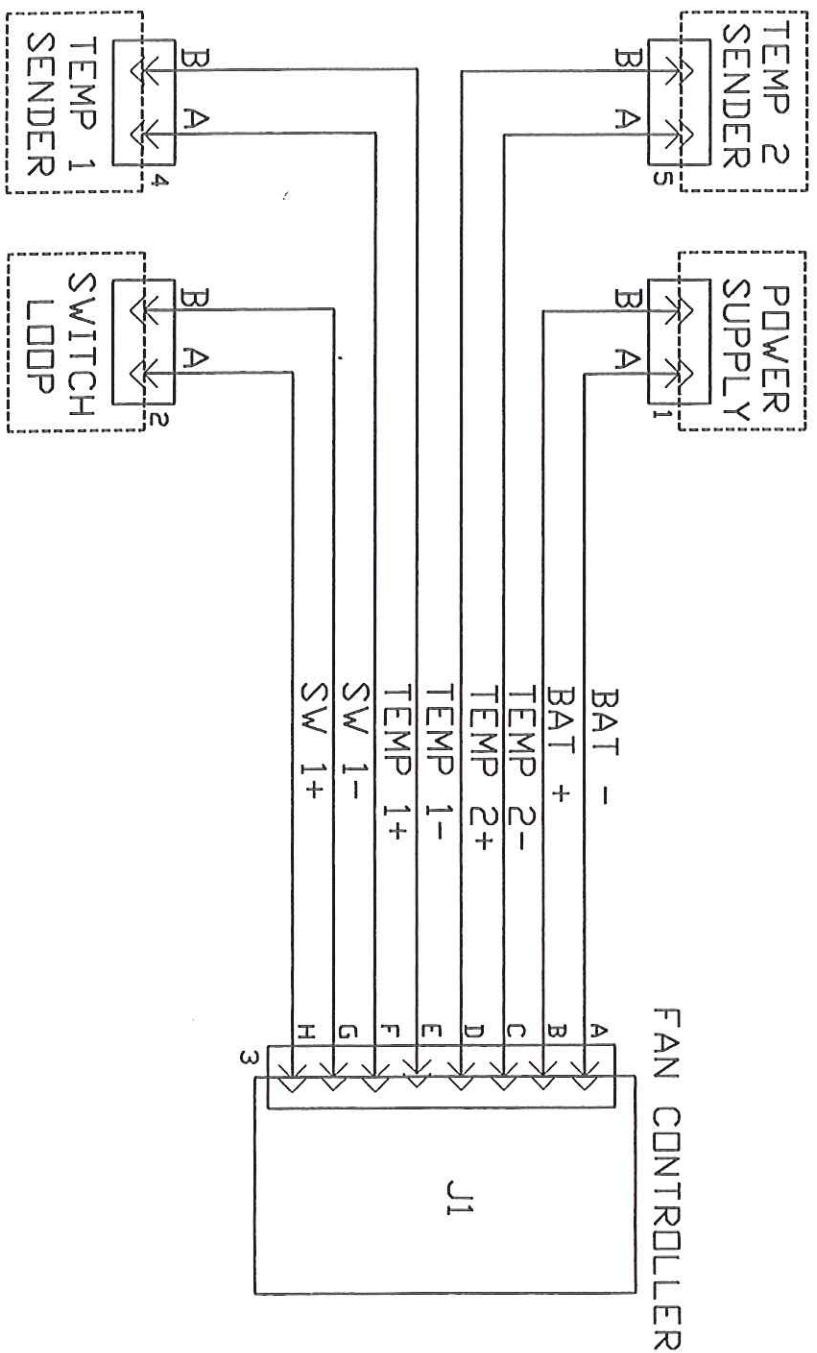
DATE  
9-9-98

REFERENCE E.C. NO. \_\_\_\_\_  
 REFERENCE S.O. NO. \_\_\_\_\_  
 MUST MEET FEDERAL SPEC. \_\_\_\_\_

DRAWING NUMBER  
1-25

DRAWING NUMBER

DATE



**Spartan Motors Inc.**

WORLD WIDE VEHICLES AND CHASSIS  
 CHARLOTTE MICHIGAN 48813  
 ELECTRICAL ENGINEERING DEPT.

DRAWN BY

DATE

8-25-98

TITLE

IRIZAR FAN CONTROLLER (M11)

REFERENCE E.C. NO. \_\_\_\_\_

REFERENCE S.O. NO. \_\_\_\_\_

MUST MEET FEDERAL SPEC. \_\_\_\_\_

DRAWING NUMBER

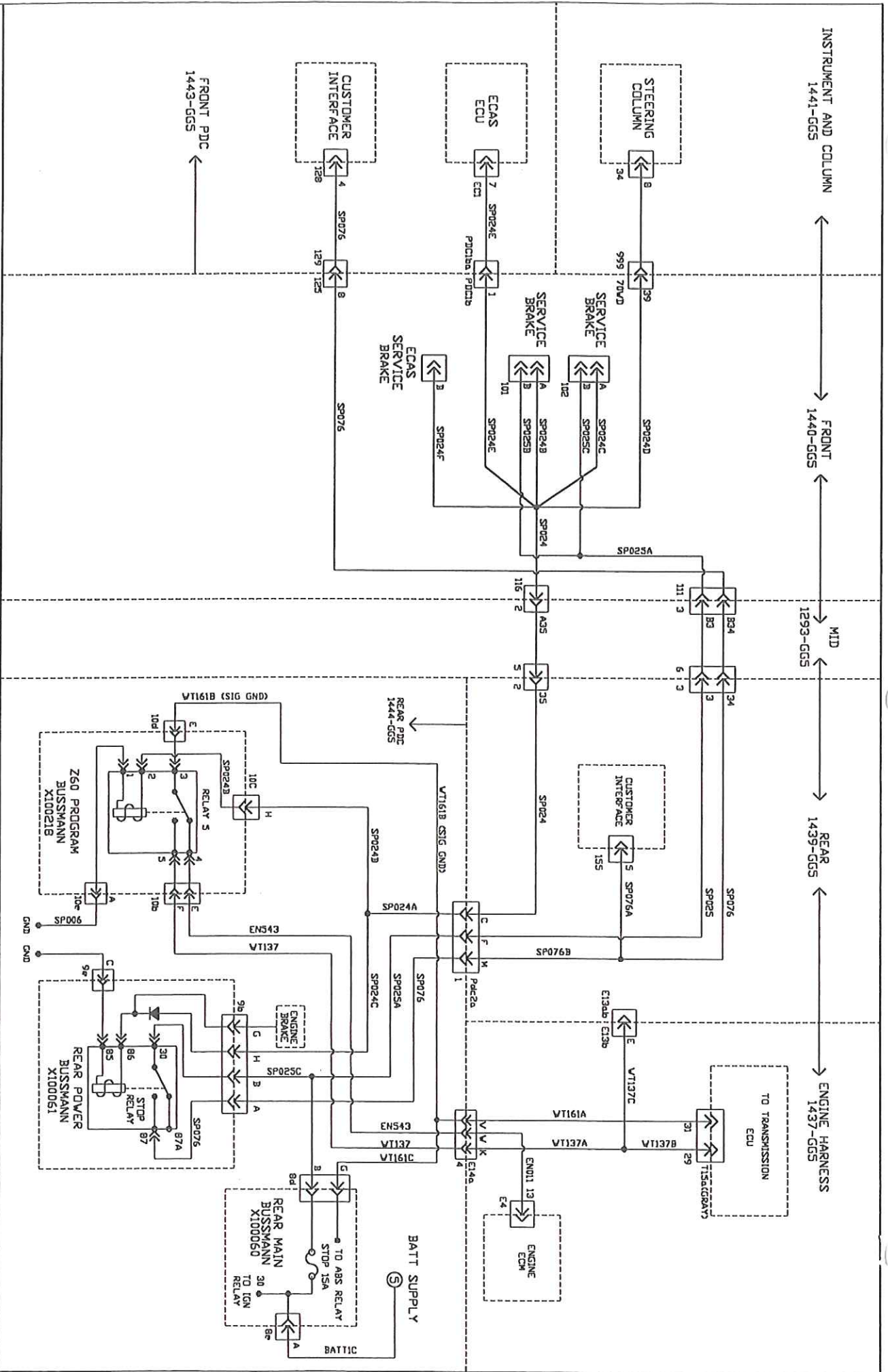
1-26

DATE



# Spartan Motors Inc.

WORLD WIDE VEHICLES AND CHASSIS  
CHARLOTTE MICHIGAN 48813  
ELECTRICAL ENGINEERING DEPT.



DATE

9-15-98

TITLE  
IRIZAR SERVICE BRAKE

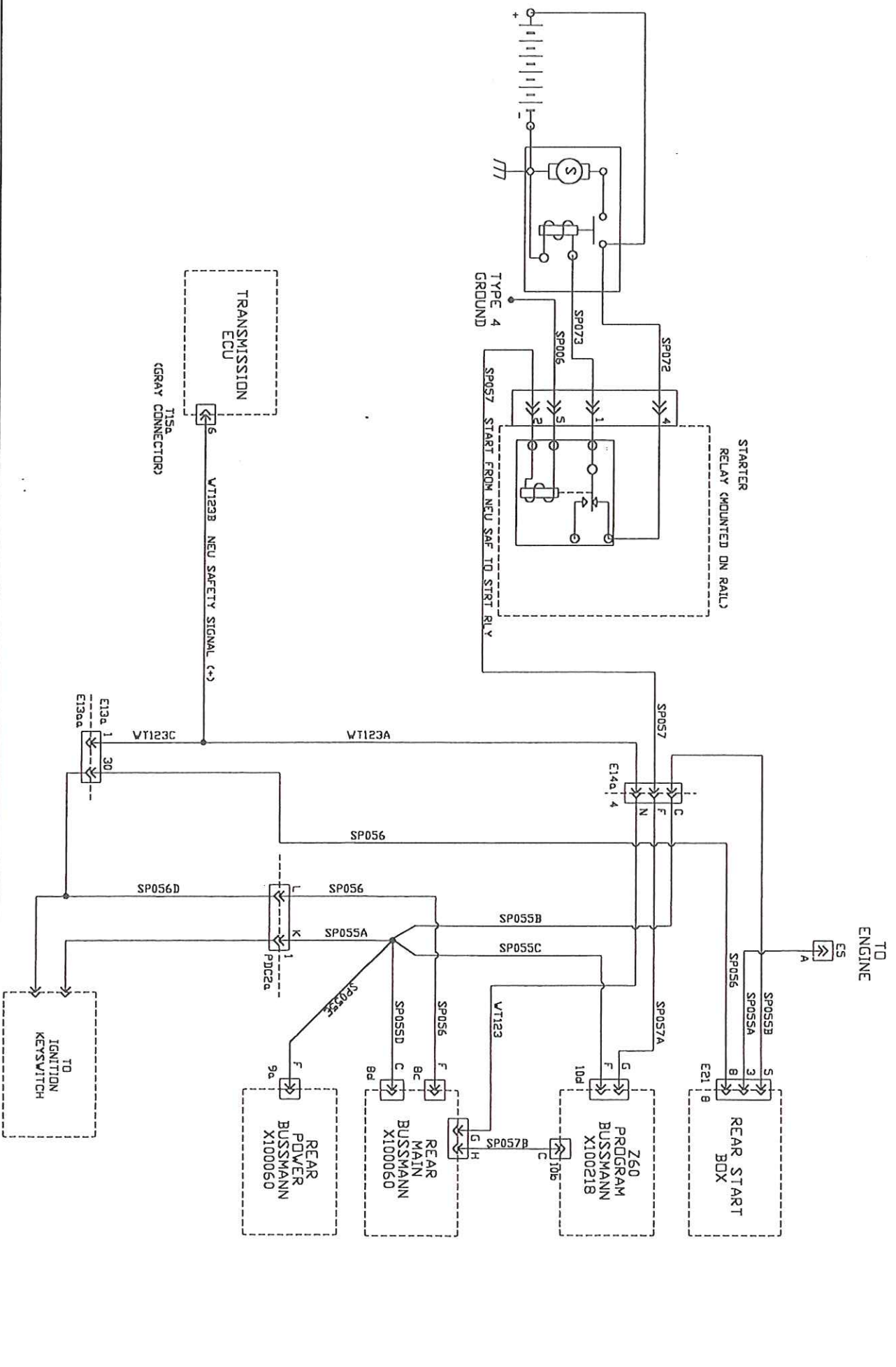
REFERENCE E.C. NO. \_\_\_\_\_  
REFERENCE S.O. NO. \_\_\_\_\_  
MUST MEET FEDERAL SPEC. \_\_\_\_\_

DRAWING NUMBER  
1-27



# Spartan Motors Inc.

WORLD WIDE VEHICLES AND CHASSIS  
CHARLOTTE MICHIGAN 48813  
ELECTRICAL ENGINEERING DEPT.



DRAWN BY

TITLE  
IRIZAR STARTING CIRCUIT

DRAWING NUMBER

DATE

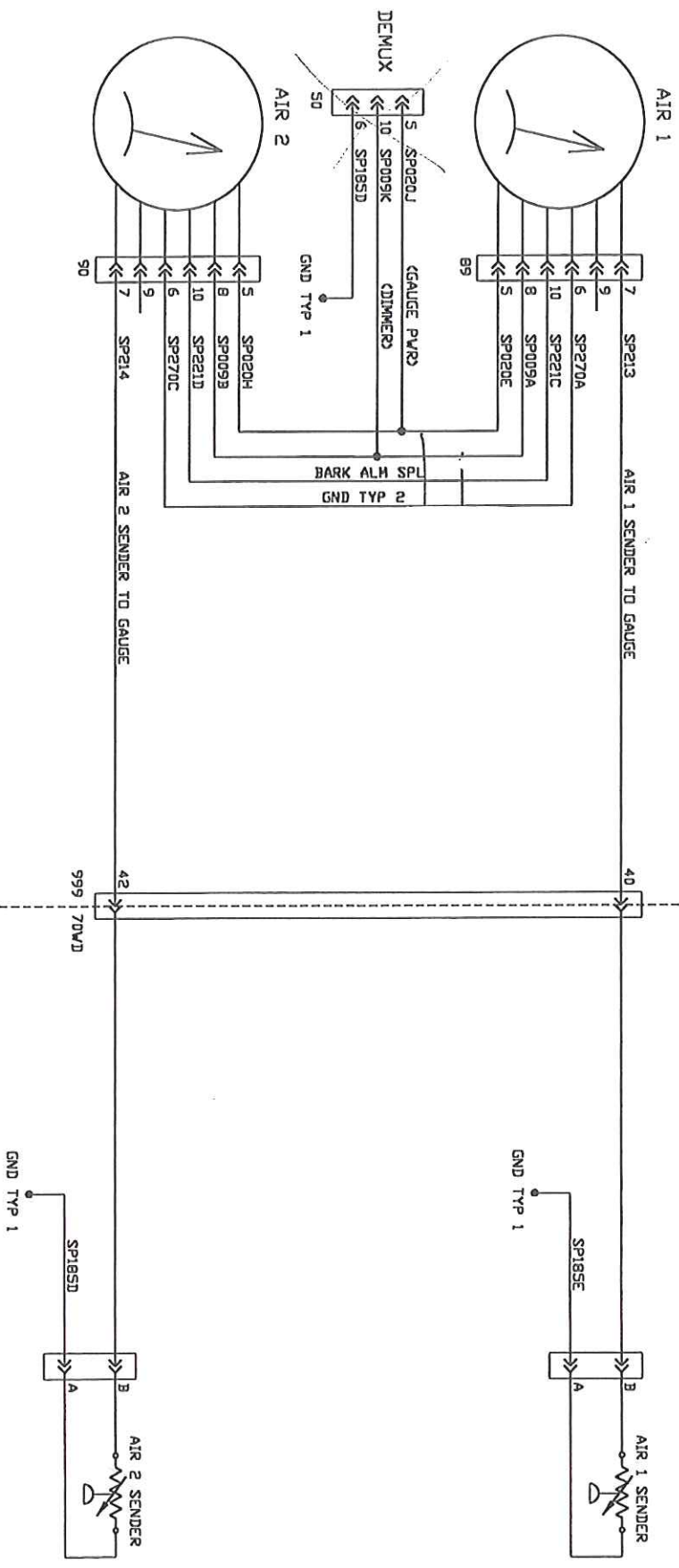
REFERENCE E.C. NO. \_\_\_\_\_  
REFERENCE S.O. NO. \_\_\_\_\_  
MUST MEET FEDERAL SPEC. \_\_\_\_\_

1-28

8-31-98

INSTRUMENT COLUMN  
1441-GGS

FRONT HARNESS  
1440-GGS



**Spartan Motors Inc.**

WORLD WIDE VEHICLES AND CHASSIS  
CHARLOTTE MICHIGAN 48813  
ELECTRICAL ENGINEERING DEPT.

DOWN BY  
DATE  
9-15-98

TITLE  
IRIZAR AIR GAUGES  
REFERENCE E.C. NO.  
REFERENCE S.O. NO.  
MUST MEET FEDERAL SPEC.

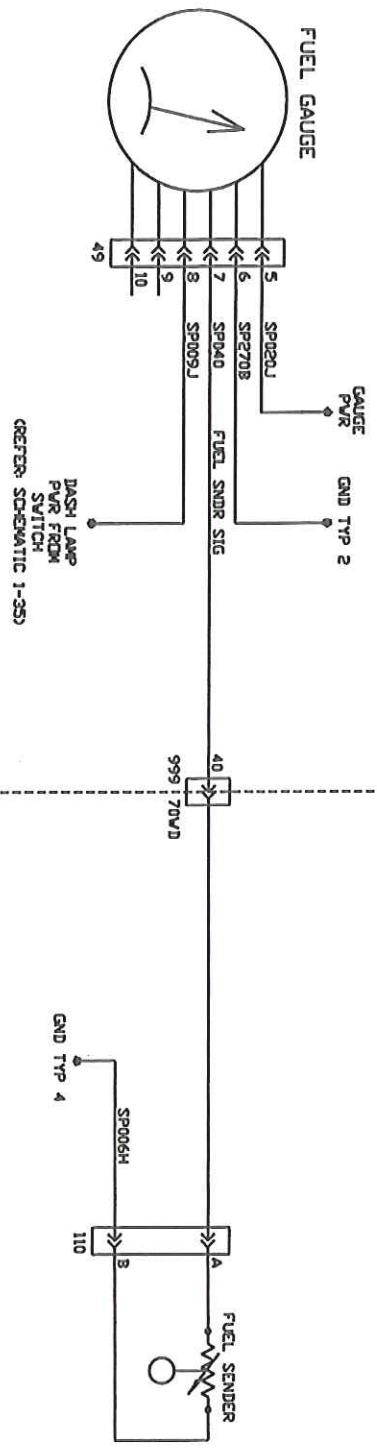
DRAWING NUMBER  
1-29



DRAWING NUMBER  
1-30

DRAWN LETTER  
A

INSTRUMENT COLUMN 1441-GCS ← FRONT HARNESS 1440-GCS



**Spartan Motors Inc.**

WORLD WIDE VEHICLES AND CHASSIS  
CHARLOTTE MICHIGAN 48113  
ELECTRICAL ENGINEERING DEPT.

DRAWN BY  
DATE  
9-16-98

TITLE  
IRIZAR FUEL GAUGE  
REFERENCE E.C. NO. \_\_\_\_\_  
REFERENCE S.O. NO. \_\_\_\_\_  
MUST MEET FEDERAL SPEC. \_\_\_\_\_

DRAWING NUMBER  
1-30  
DRAWN LETTER  
A



**Spartan Motors Inc.**

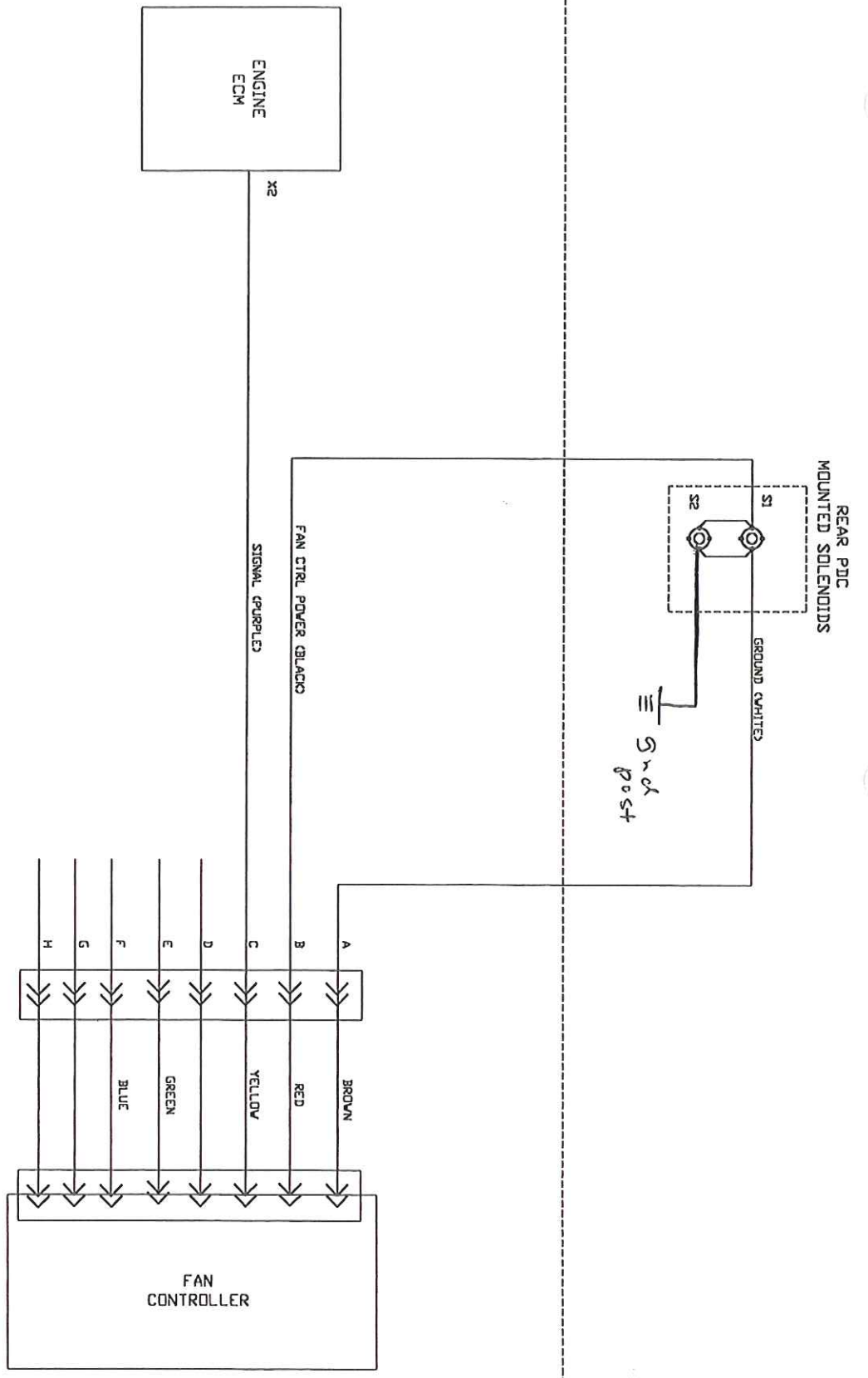
WORLD WIDE VEHICLES AND CHASSIS  
 CHARLOTTE  
 ELECTRICAL ENGINEERING DEPT.  
 MICHIGAN 48013

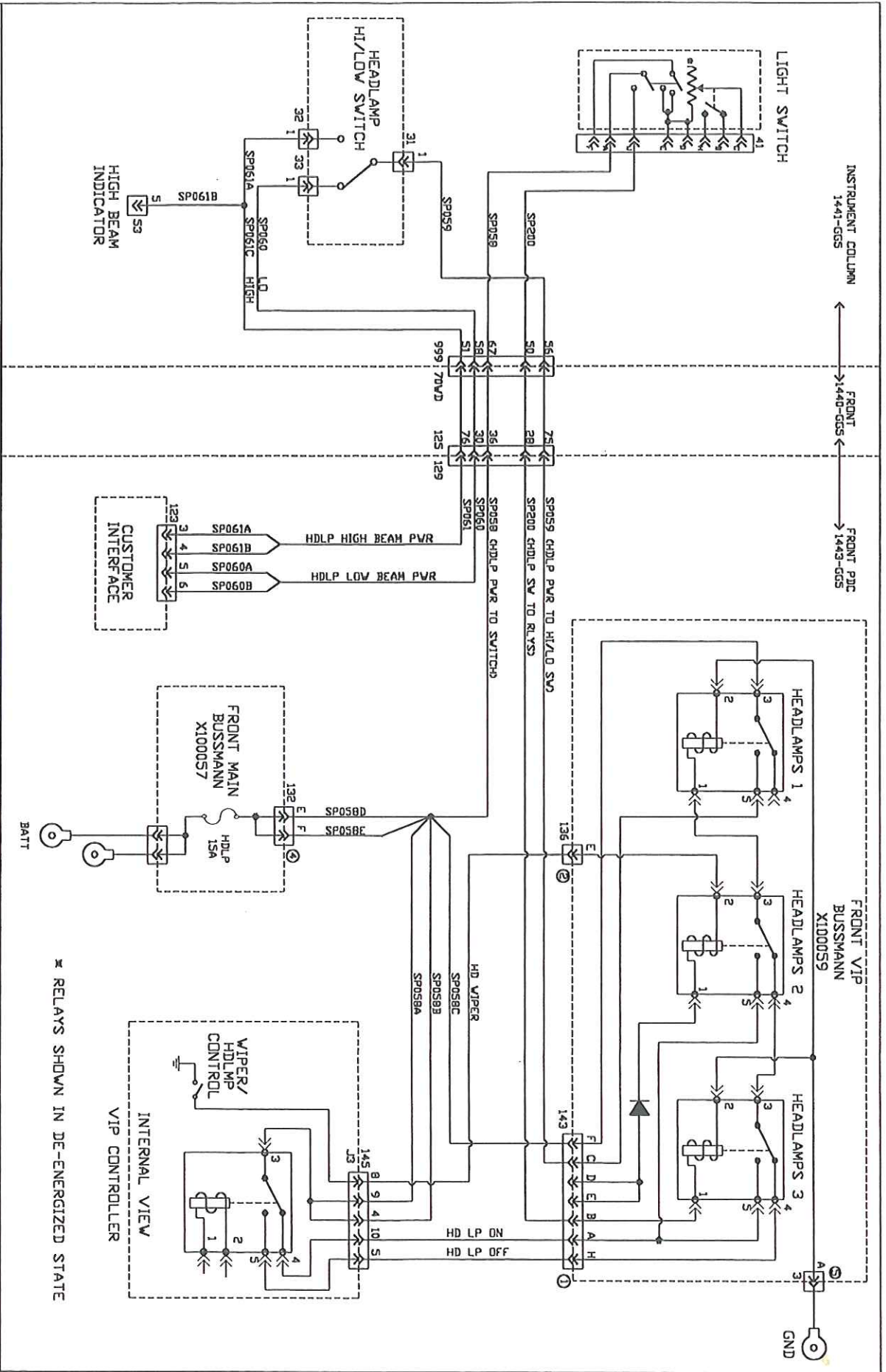
DATE  
 8-25-98

TITLE  
 IRIZAR FAN CONTROLLER (SERIES 60)

REFERENCE E.C. NO. \_\_\_\_\_  
 REFERENCE S.O. NO. \_\_\_\_\_  
 MUST MEET FEDERAL SPEC. \_\_\_\_\_

DRAWING NUMBER  
 1-31





**Spartan Motors Inc.**

WORLD WIDE VEHICLES AND CHASSIS  
 CHARLOTTE MICHIGAN 48813  
 ELECTRICAL ENGINEERING DEPT.

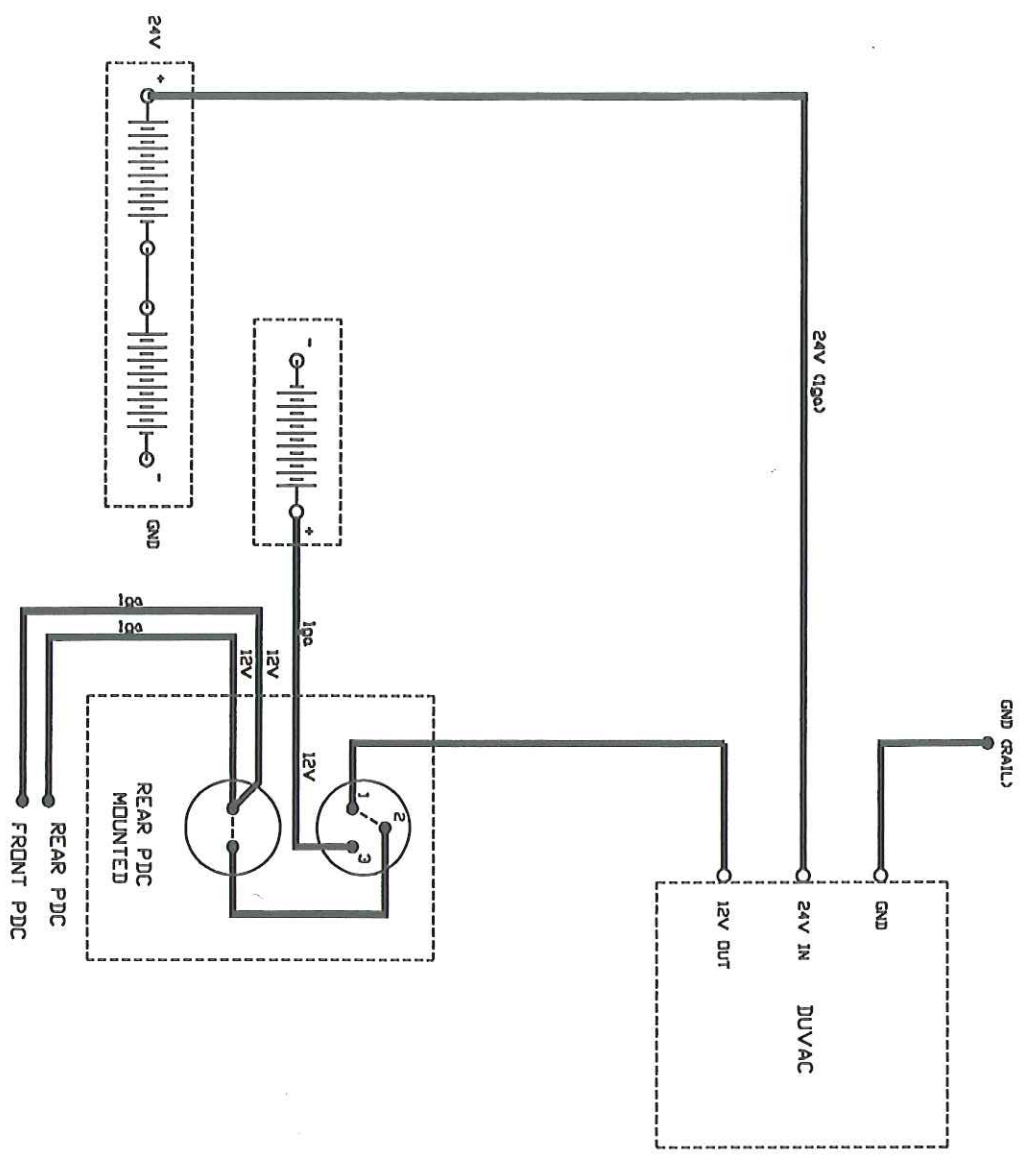
DATE: 10-7-98

TITLE: IRIZAR HEADLAMPS

DRAWING NUMBER: 1-32

DATE: 10-7-98

DRAWING NUMBER  
**1-33**  
 SHEET LETTER  
**A**



NOTE: BOLD LINES INDICATE BATTERY CABLES.

# Spartan Motors Inc.

WORLD WIDE VEHICLES AND CHASSIS  
 CHARLOTTE MICHIGAN 48813  
 ELECTRICAL ENGINEERING DEPT.



DRWN BY 10-20-98	TITLE IRIZAR DUVAC/MASTER SWITCH	DRAWING NUMBER 1-33	A
DATE	REFERENCE E.C. NO. _____ REFERENCE S.O. NO. _____ MUST MEET FEDERAL SPEC. _____		



# Spartan Motors Inc.

WORLD WIDE VEHICLES AND CHASSIS  
CHARLOTTE MICHIGAN 48813  
ELECTRICAL ENGINEERING DEPT.

DRAWN BY

DATE  
10-20-98

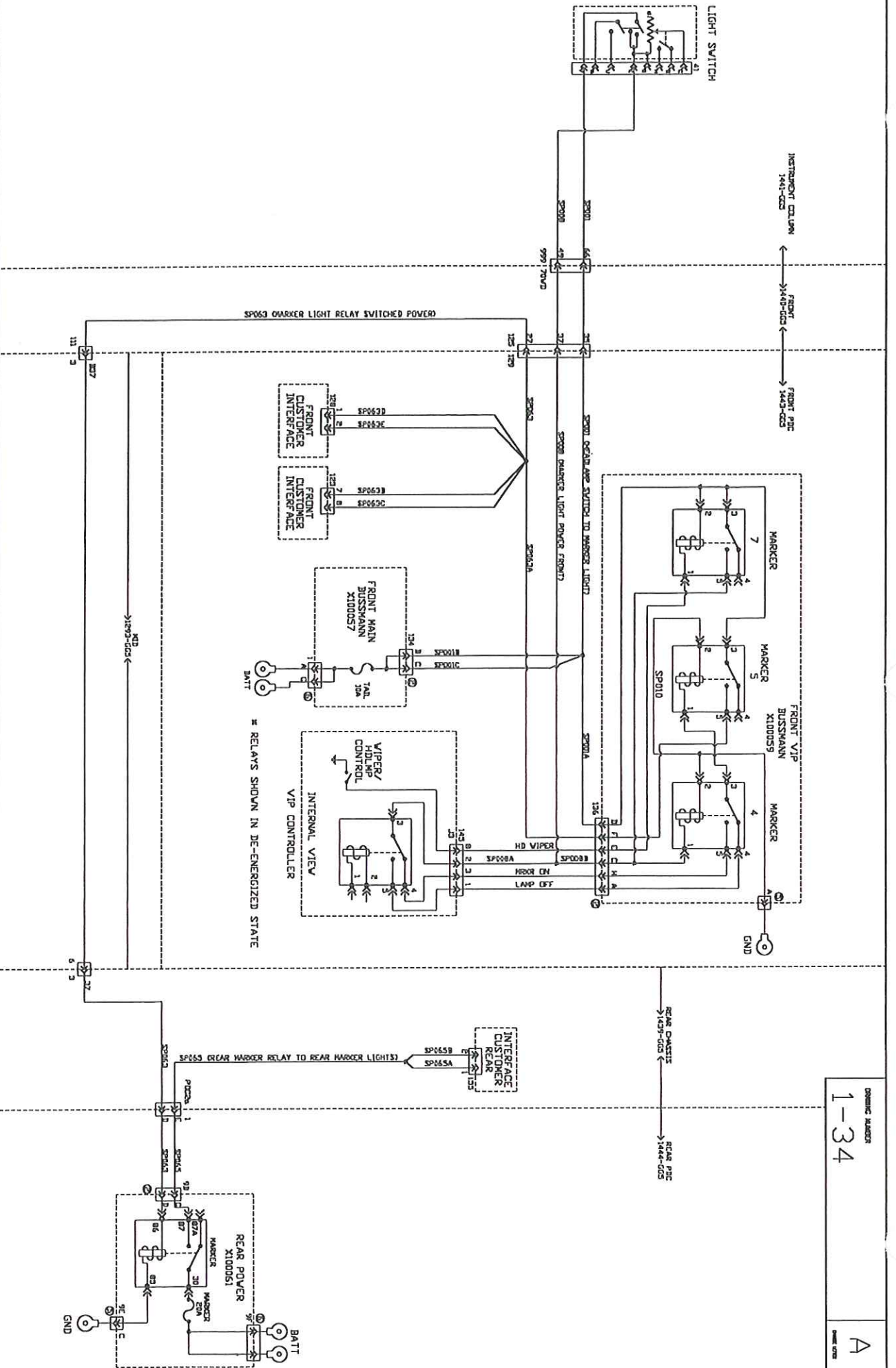
TITLE

IRIZAR MARKER LAMPS

REFERENCE E.C. NO. \_\_\_\_\_  
REFERENCE S.O. NO. \_\_\_\_\_  
MUST MEET FEDERAL SPEC. \_\_\_\_\_

DRAWING NUMBER

1-34



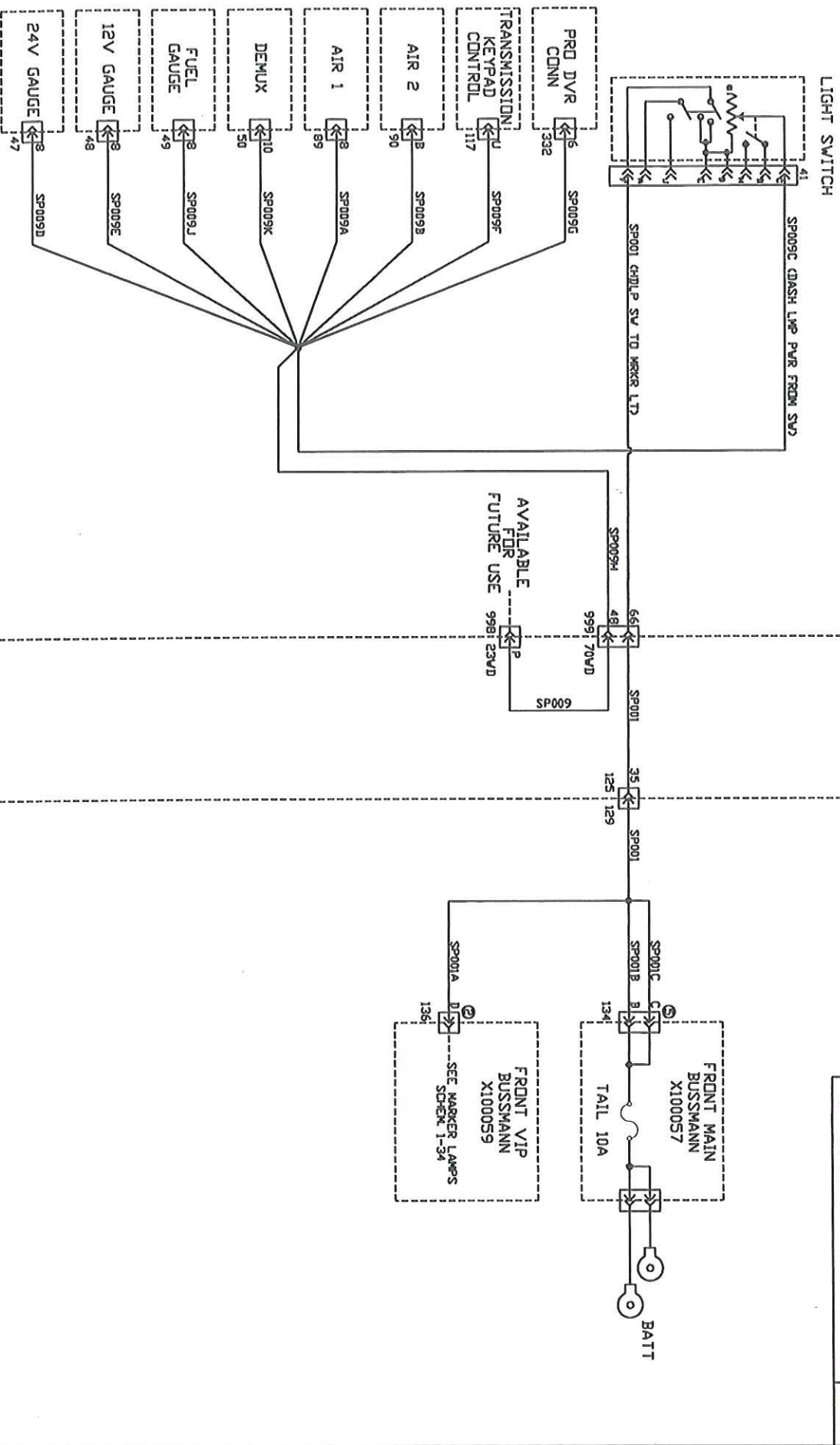
DYNAMIC NUMBER  
1-34

A

INSTRUMENT COLUMN  
1441-GG5  
FRONT 1440-GG5  
FRONT PDC 1443-GG5

DRAWING NUMBER  
1-35

A



**Spartan Motors Inc.**

WORLD WIDE VEHICLES AND CHASSIS  
CHARLOTTE MICHIGAN 48813  
ELECTRICAL ENGINEERING DEPT.

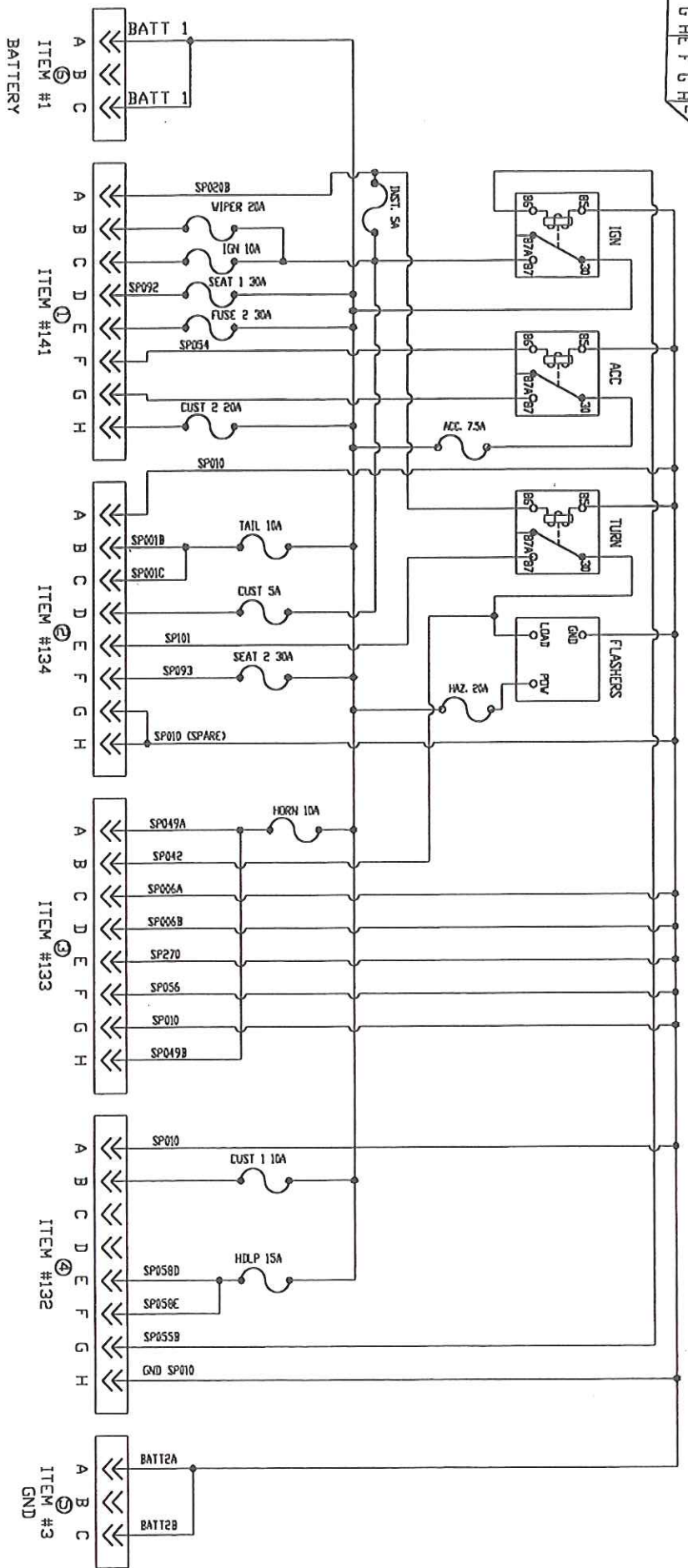
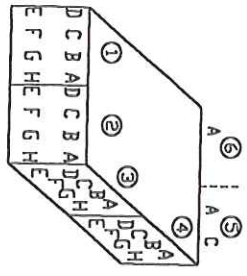
DRAWN BY  
DATE  
10-21-98

TITLE  
IRIZAR DASHLAMPS

REFERENCE E.C. NO. \_\_\_\_\_  
REFERENCE S.O. NO. \_\_\_\_\_  
MUST MEET FEDERAL SPEC. \_\_\_\_\_

DRAWING NUMBER  
1-35

A



PROPERTY OF  
 CUSTOM BUILT SPECIALTY VEHICLE DEPT.  
 SPARTAN MOTORS, INC.  
 ENGINEERING USE ONLY DO NOT COPY  
 DATE ISSUED / /

PRELIMINARY

REV.	REVISIONS	E.C. DATE	BY
1	LET.		



Spartan Motors Inc.

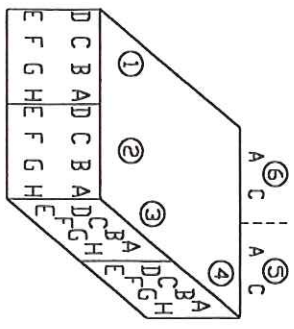
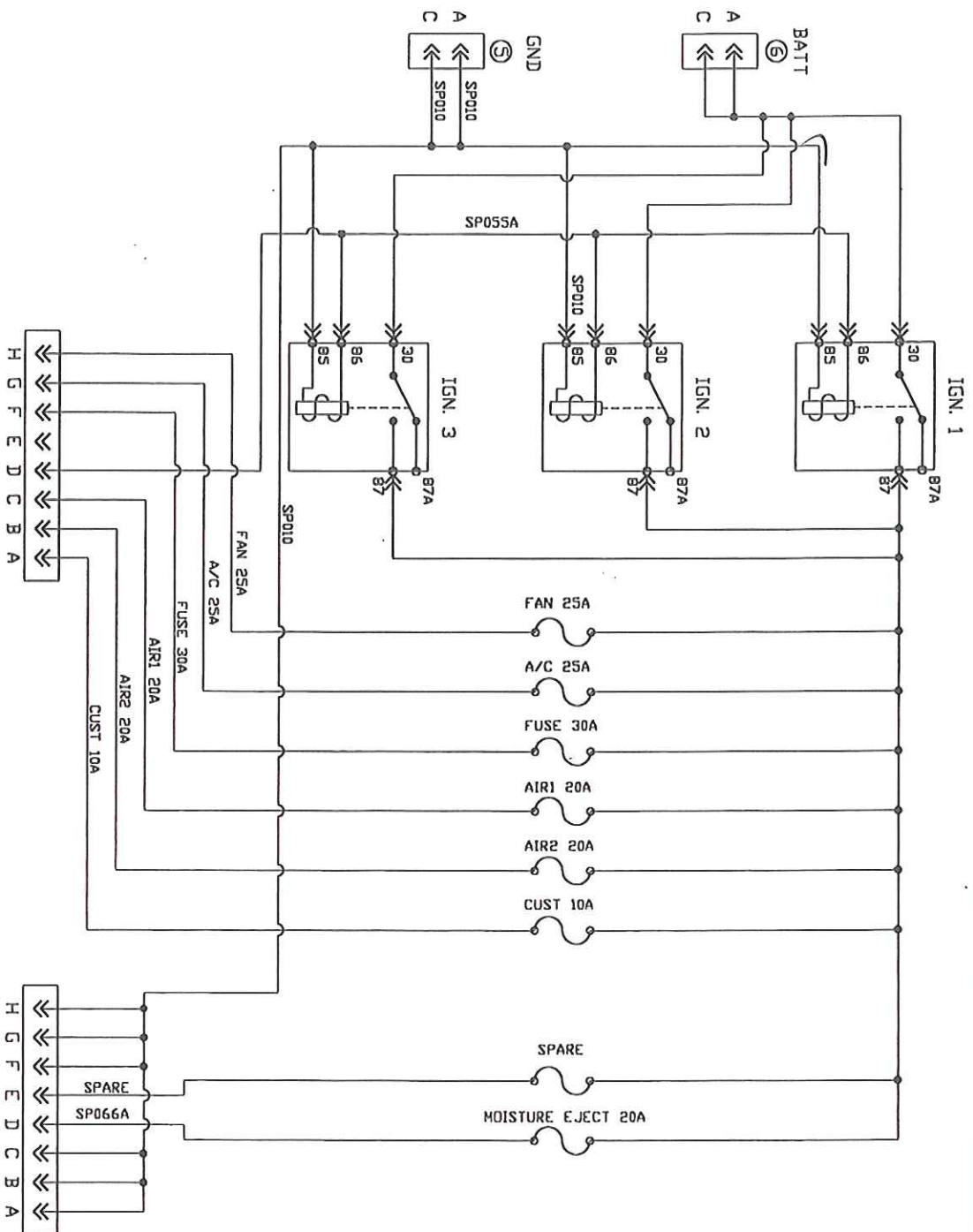
WORLD WIDE VEHICLES AND CHASSIS  
 CHARLOTTE MICHIGAN 48813  
 ELECTRICAL ENGINEERING DEPT.

DATE  
 7-30-98

SCHEMATIC  
 FRONT MAIN PDC.

REFERENCE E.C. NO.  
 REFERENCE S.O. NO.  
 MUST MEET FEDERAL SPEC.

DRAWING NUMBER  
 X100057



PROPERTY OF  
CUSTOM BUILT SPECIALTY VEHICLE DEPT.  
SPARTAN MOTORS, INC.  
ENGINEERING USE ONLY DO NOT COPY  
DATE ISSUED / /

ITEM 139

ITEM 131

LET.	REVISIONS	E.C. DATE BY



**Spartan Motors Inc.**  
WORLD WIDE VEHICLES AND CHASSIS  
CHARLOTTE MICHIGAN 49813

ELECTRICAL ENGINEERING DEPT.

DRAWN BY	SCHMATIC	DRAWING NUMBER
DATE	FRONT IGNITION BUSSMANN	X100058
	REFERENCE E.C. NO. _____	
	REFERENCE S.O. NO. _____	
	MUST MEET FEDERAL SPEC. _____	

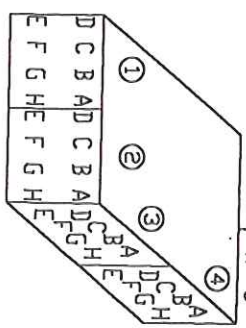
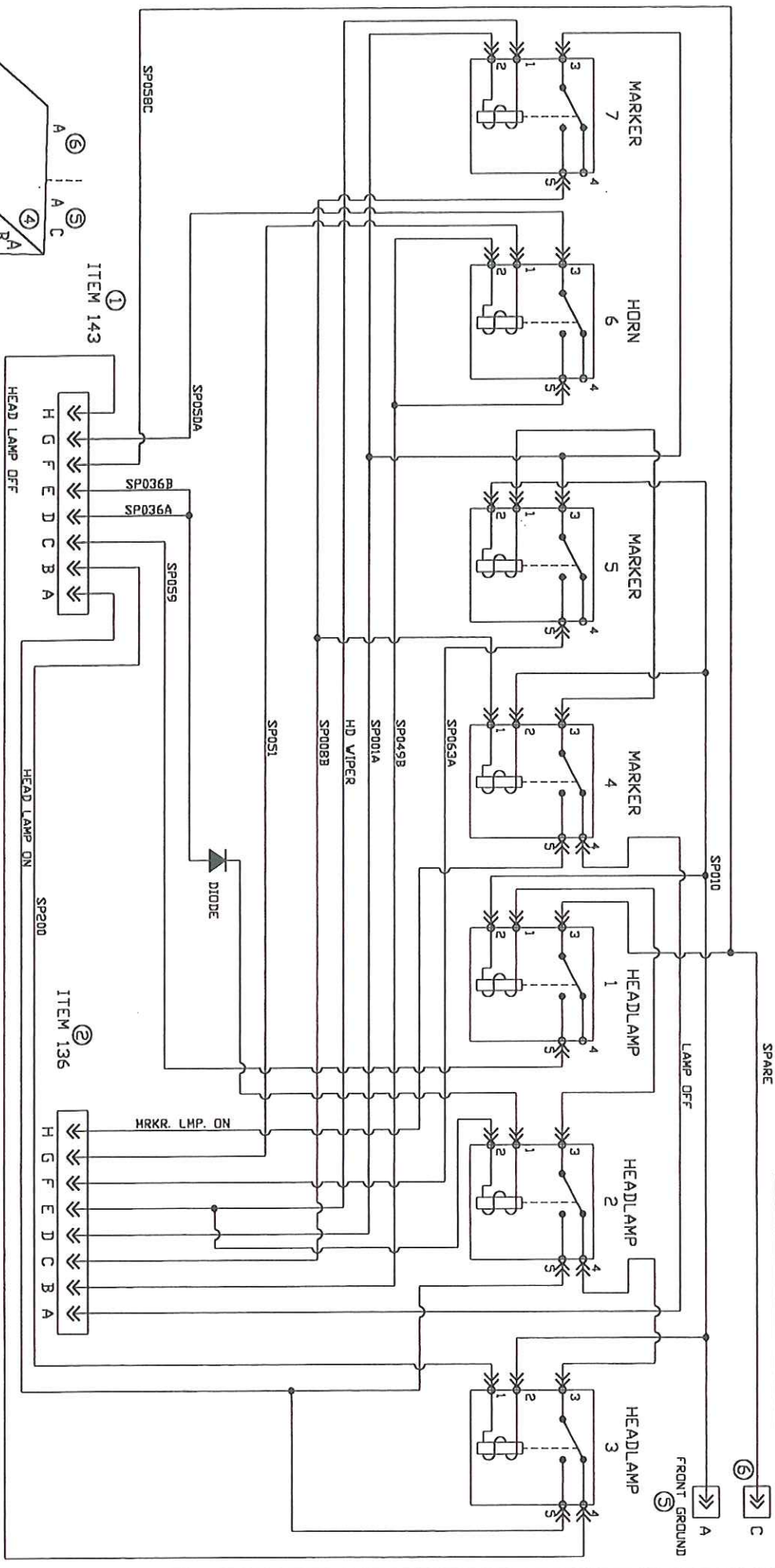


DRAWING NUMBER

DATE

⑥ C

⑤ A FRONT GROUND



PROPERTY OF  
 CUSTOM BUILT SPECIALTY VEHICLE DEPT.  
 SPARTAN MOTORS, INC.  
 ENGINEERING USE ONLY DO NOT COPY  
 DATE ISSUED / /

PRELIMINARY

LET.	REVISIONS	E.C. DATE	BY



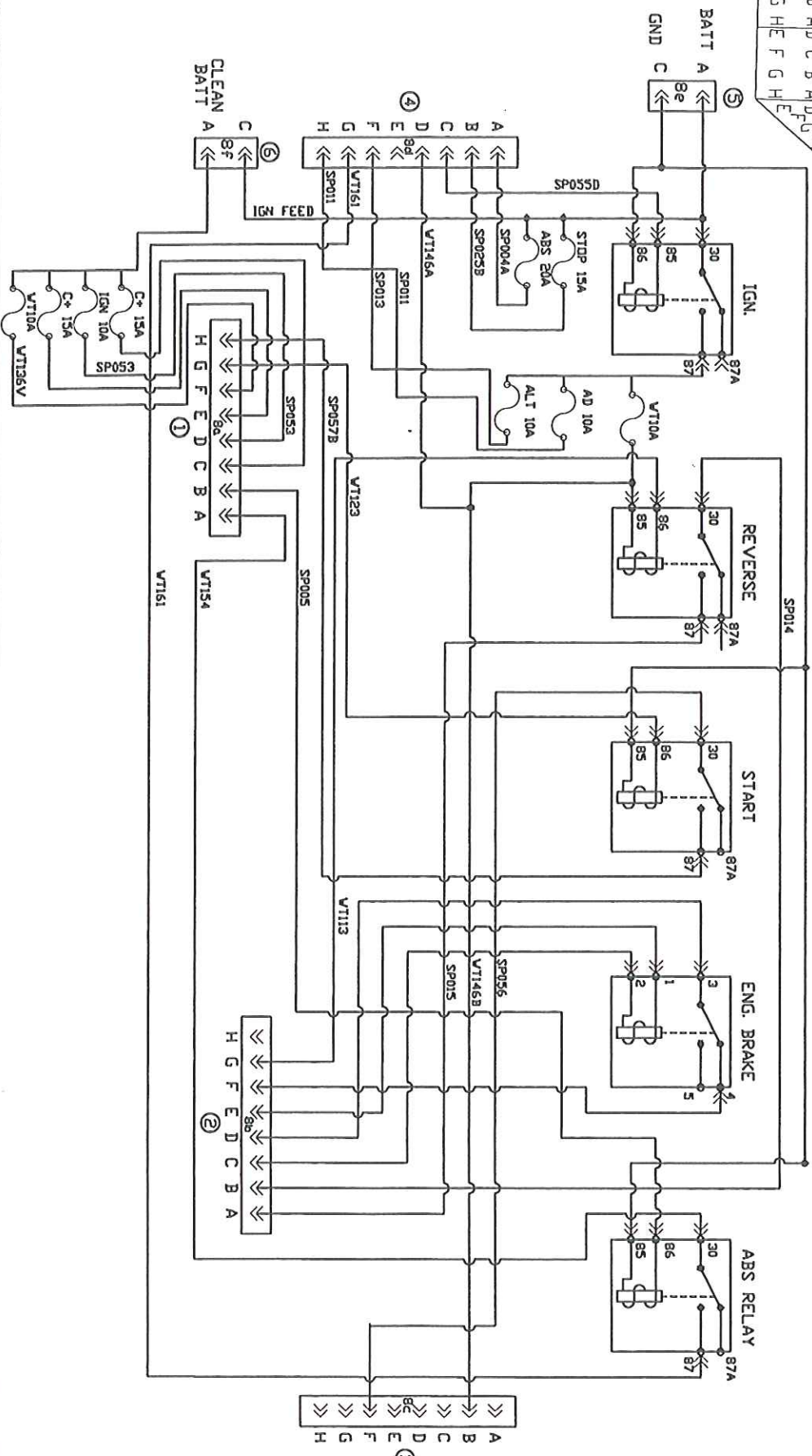
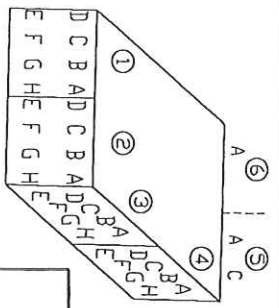
**Spartan Motors Inc.**

WORLD WIDE VEHICLES AND CHASSIS  
 CHARLOTTE MICHIGAN 48813  
 ELECTRICAL ENGINEERING DEPT.

DATE  
 DRAWN BY

SCHEMATIC  
 FRONT V.I.P. WHEEL BUSSMANN

REFERENCE E.C. NO. \_\_\_\_\_  
 REFERENCE S.O. NO. \_\_\_\_\_  
 MUST MEET FEDERAL SPEC. \_\_\_\_\_  
 DRAWING NUMBER  
**X100059**

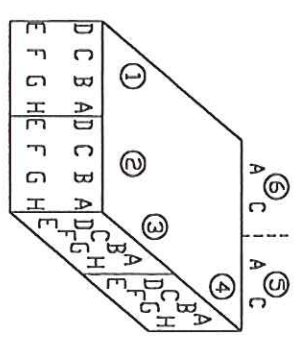
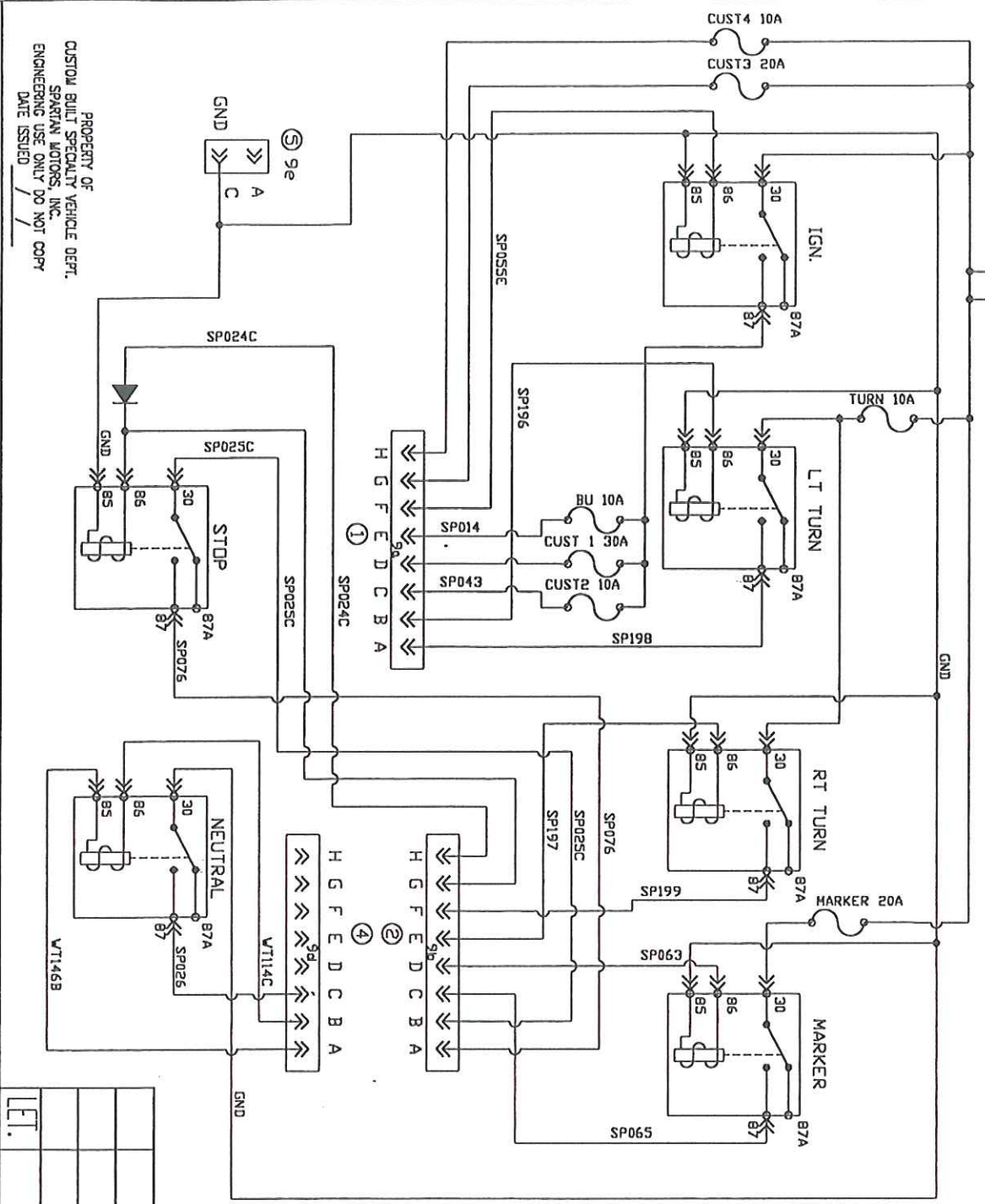


**Spartan Motors Inc.**

WORLD WIDE VEHICLES AND CHASSIS  
 CHARLOTTE MICHIGAN 49813  
 ELECTRICAL ENGINEERING DEPT.

DATE	DRAWN BY	SCHMATIC	DRAWING NUMBER
		REAR MAIN BUSSMANN	X100060
REFERENCE E.C. NO. _____		MUST MEET FEDERAL SPEC. _____	
REFERENCE S.O. NO. _____		DRAWING NUMBER	
MUST MEET FEDERAL SPEC. _____		X100060	

DRAWING NUMBER  
DATE



PRELIMINARY

REV.	DATE	BY
1	LET.	

REVISIONS

DATE

SCHEMATIC

REAR POWER BUSSMAN

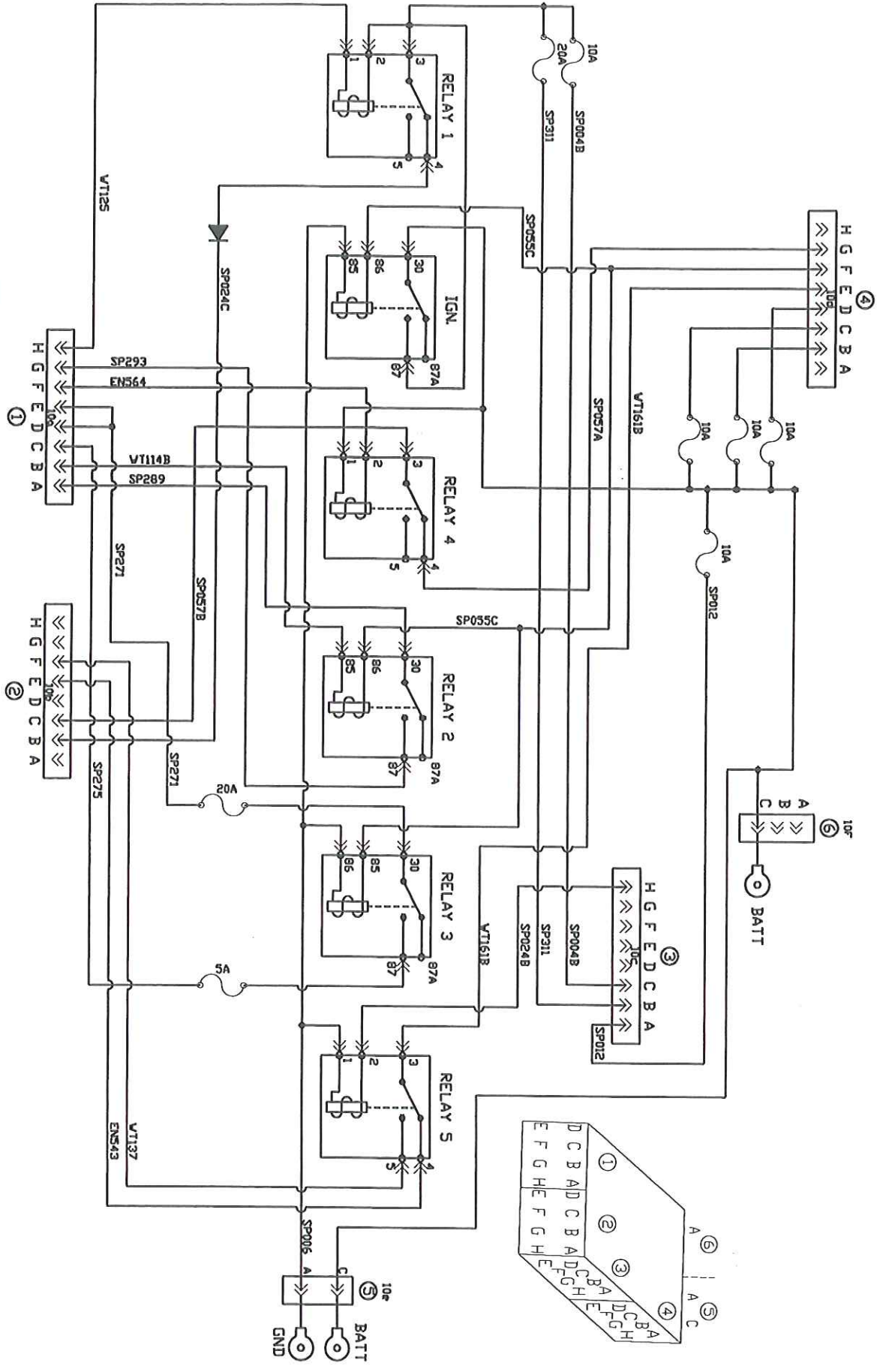
PROPERTY OF  
CUSTOM BUILT SPECIALTY VEHICLE DEPT.  
SPARTAN MOTORS, INC.  
ENGINEERING USE ONLY DO NOT COPY  
DATE ISSUED



**Spartan Motors Inc.**  
WORLD WIDE VEHICLES AND CHASSIS  
CHARLOTTE MICHIGAN 48813

ELECTRICAL ENGINEERING DEPT.

REFERENCE E.C. NO. \_\_\_\_\_  
REFERENCE S.O. NO. \_\_\_\_\_  
MUST MEET FEDERAL SPEC. \_\_\_\_\_  
DRAWING NUMBER  
**X100061**



**Spartan Motors Inc.**  
 WORLD WIDE VEHICLES AND CHASSIS  
 CHARLOTTE MICHIGAN 48813  
 ELECTRICAL ENGINEERING DEPT.

DATE	DRAWN BY	SCHEMATIC	REFERENCE E.C. NO.	DRAWING NUMBER
		260 PROGRAM BUSSMANN	S.O. NO.	X100218
			MUST MEET FEDERAL SPEC.	